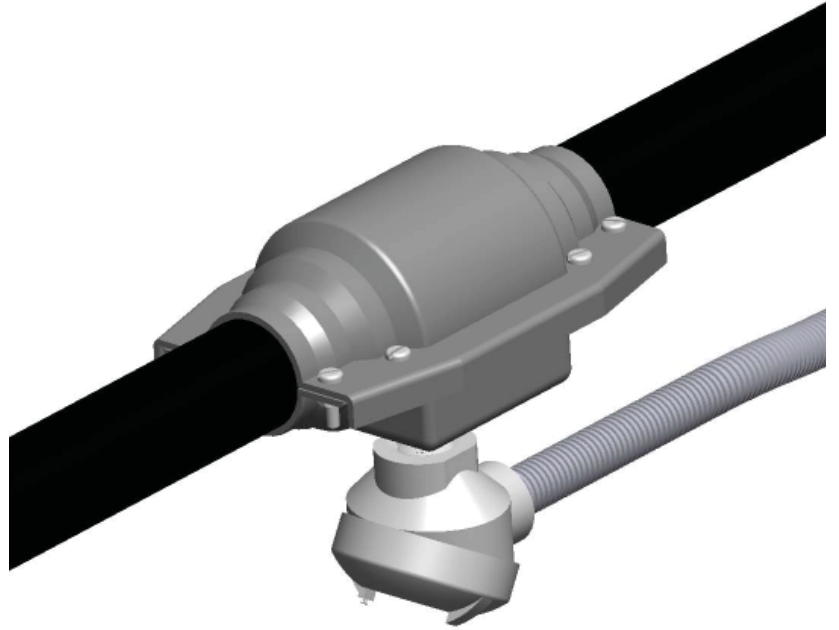


**FAK-4S/FAK-4LS: Temperature Sensor Kit
Electrically Heated TubeTrace® Bundles
INSTALLATION PROCEDURES**



The Heat Tracing Specialists®

FAK-4S/FAK-4LS: Temperature Sensor

INSTALLATION PROCEDURES

The FAK-4S/FAK-4LS: Installation Kit is designed to make a waterproof seal over TubeTrace at the Temperature Sensor Installation location.

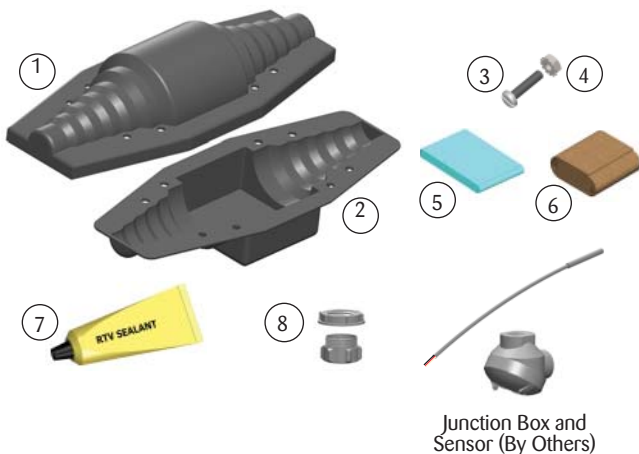
Receiving, Storing and Handling . . .

1. Inspect materials for damage incurred during shipping.
2. Report damages to the carrier for settlement.
3. Identify parts against the packing list to ensure the proper type and quantity has been received.
4. Store in dry location.
5. Ensure that temperature sensor is suitable for area classification.
6. Any modifications to the enclosure or deviation from these procedures may affect unit's rating or approvals. Contact factory if modifications are necessary.

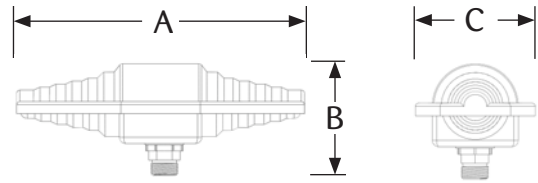
FAK-4S: Thermostat Installation Kit Contents . . .

| Item | Quantity | Description |
|------|----------|-------------------------------------|
| 1 | 1 | Sensor Cover (Top) |
| 2 | 1 | Sensor Cover (Bottom) |
| 3 | 12 | Pan-Head S.S. Screws, #10-32 x 3/4" |
| 4 | 12 | KEPT S.S. Nuts, #10-32 |
| 5 | 3' | Heat Reflective Tape |
| 6 | 3' | Glass Fiber Tape |
| 7 | 1 | RTV Sealant Tube |
| 8 | 1 | Sensor Head Mounting Assembly |

FAK-4S/FAK-4LS: Thermostat Installation Kit . . .



Dimensions . . .



| | A inch (mm) | B inch (mm) | C inch (mm) |
|---------|------------------|-----------------|-----------------|
| FAK-4S | 11-1/4" (286 mm) | 4-1/2" (114 mm) | 4-1/2" (114 mm) |
| FAK-4LS | 14-5/8" (372 mm) | 4-1/2" (114 mm) | 4-1/2" (114 mm) |

Installation Precautions . . .

- To minimize the potential for arcing and ground-fault protection. The National Electrical Code (NEC) and Canadian Electrical Code (CEC) require ground-fault protection of equipment for each branch circuit supplying electric heat tracing.
- Installation must comply with Thermon requirements and be installed in accordance with the NEC, CEC, or any other applicable national and local codes.
- Component approvals and performance ratings are based on the use of Thermon specified parts only. User supplied power connection fittings must be listed or certified for intended use.
- De-energize all power sources before opening enclosure.
- Keep ends of heating cable and kit components dry before and during installation.
- Individuals installing these products are responsible for complying with all applicable safety and health guidelines. Proper personal protective equipment, or PPE, should be utilized during installation. Contact Thermon if you have any additional questions.

Tools Required . . .



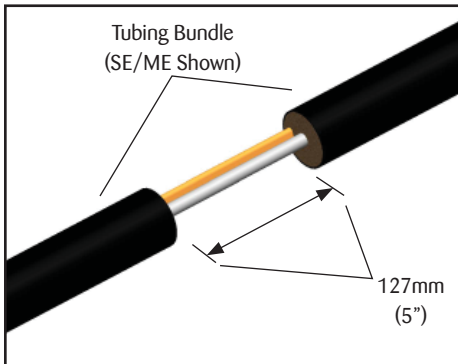
Hacksaw



Screwdriver

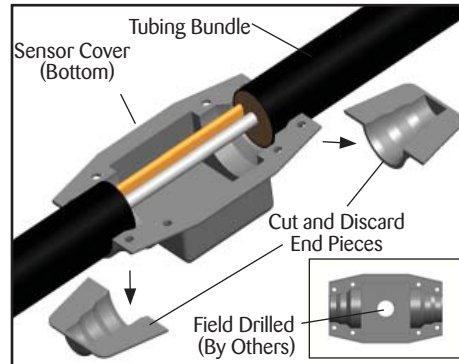


The Heat Tracing Specialists®

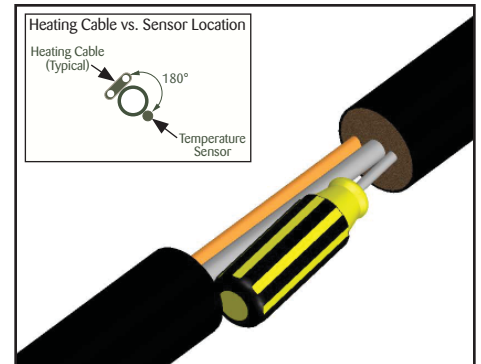


1. Remove outer jacket and insulation from tubing bundle approximately 127mm (5") to expose the process tubes and heat trace.

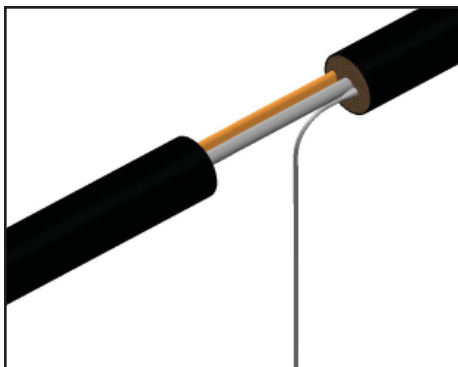
CAUTION Do not cut or damage the heat trace or sampling tube.
(Found on TubeTrace SE/ME bundles)



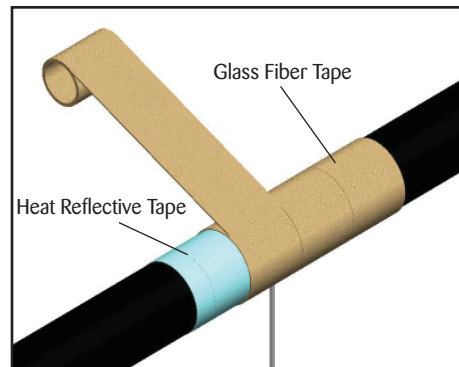
2. Cut top and bottom sensor cover ends to match outside diameter of tubing bundle.



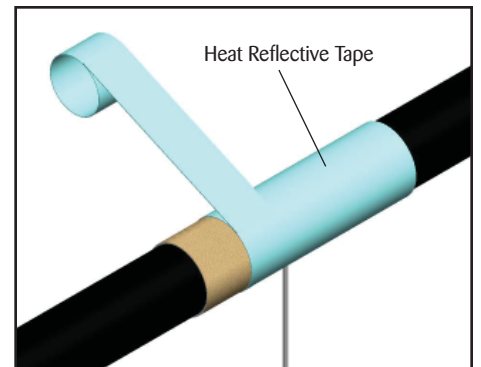
3. Prepare tubing bundle for temperature sensor by inserting a phillips screwdriver between the process tube(s) and insulation at a point opposite the heating cable. The sensor should be placed 180° around the circumference from the heating cable. Make sure that the entire length of the sensor is in intimate contact with the tube surface. Prevent kinking.



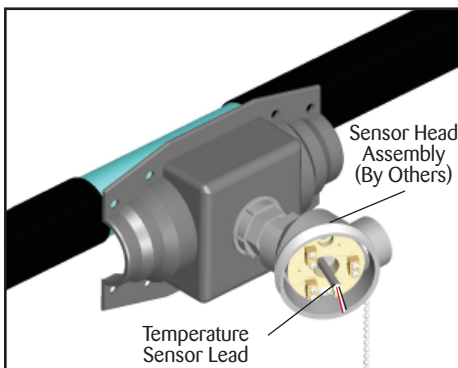
4. Insert the temperature sensor into the prepared hole in the thermal insulation.



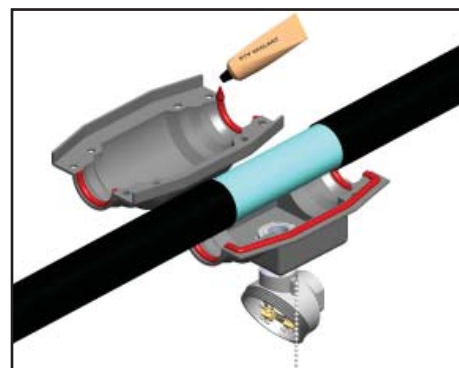
5. Wrap tubes and heat tracing with pass of heat reflective tape (25% overlap). Then wrap with 3 passes of glass fiber tape (50% overlap), or until fiber tape is equal to original bundle insulation thickness.



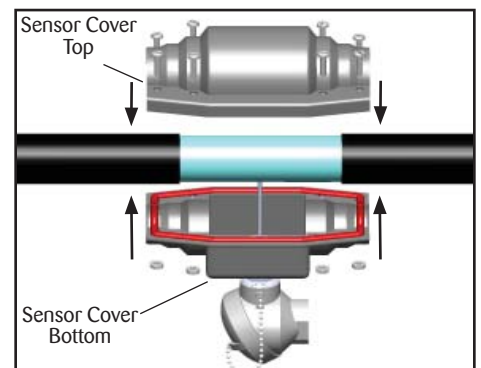
6. Complete with additional passes of heat reflective tape.



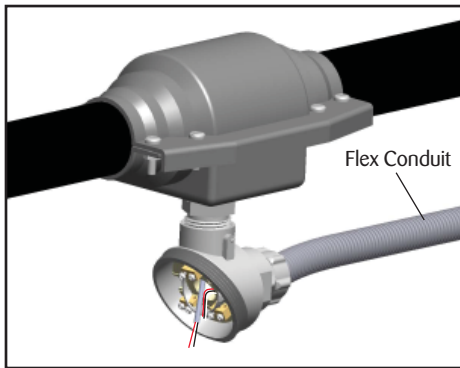
7. Connect sensor head assembly to the sensor cover bottom using the supplied hardware. Be sure temperature sensor lead is guided through the opening found in the middle of the terminal mount.



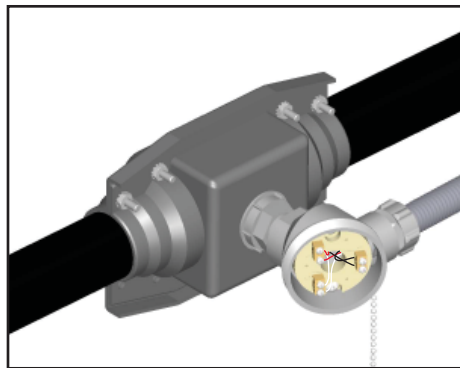
8. Form a gasket by applying RTV sealant to bottom half of sensor cover and along radius of upper half.



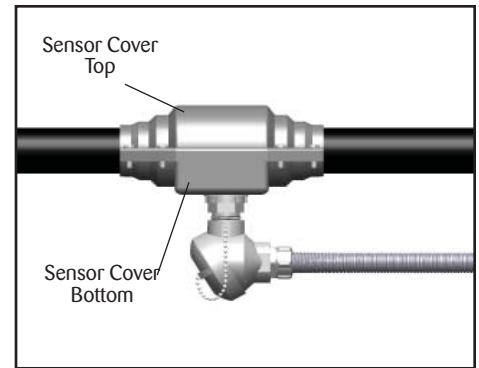
9. Assemble sensor top, tubing bundle, and sensor bottom together as shown, using 10-32 x 3/4" pan head screws and KEPT nuts.



10. Connect flex conduit to sensor head assembly using hardware supplied by others. Be sure to guide power wires through opening found in the middle of the terminal mount.



11. Connect wires from conduit and temperature sensor to the terminals on the sensor head assembly. Tighten sensor head assembly lid.



12. Completed FAK-4S/FAK-4LS



THERMON . . . The Heat Tracing Specialists®
100 Thermon Dr. • PO Box 609 • San Marcos, TX 78667-0609
Phone: 512-396-5801 • Facsimile: 512-396-3627
1-800-820-HEAT • In Canada call **1-800-563-8461**

ISO 9001
REGISTERED

Specifications and information are subject to change without notice. Form PN50052-0612

For the Thermon office nearest you
visit us at . . .
www.thermon.com