

TracePlus™ PowerSnap

Nometallic Connection Kits

INSTALLATION PROCEDURES

for HSX

For Power Connection, In-Line Splice Connection,
T-Splice Connection, or End Termination Applications



The Heat Tracing Specialists®

Australian Headquarters
30 London Dr. • PO Box 532
Bayswater, Victoria 3153 • Australia
Phone: +61-3 9762 6900

Corporate Headquarters
100 Thermon Dr. • PO Box 609
San Marcos, TX 78667-0609 • USA
Phone: +1 512-396-5801

For the Thermon office nearest you
visit us at . . .
www.thermon.com

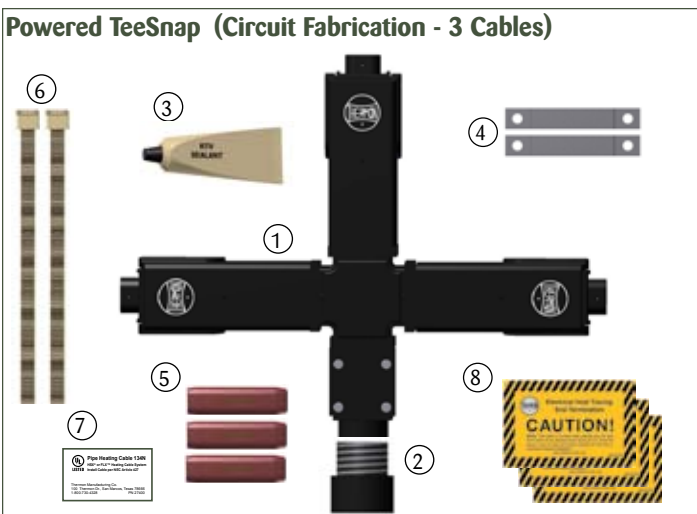
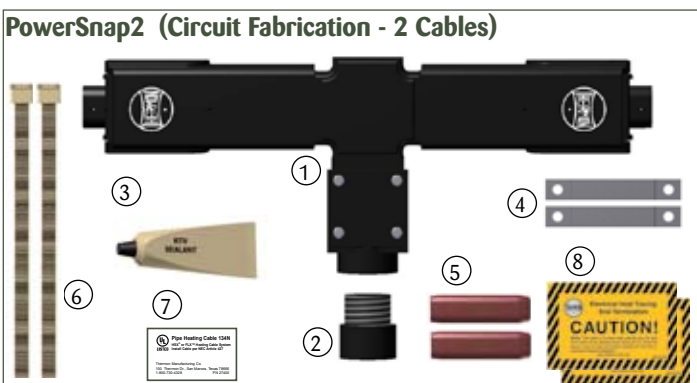
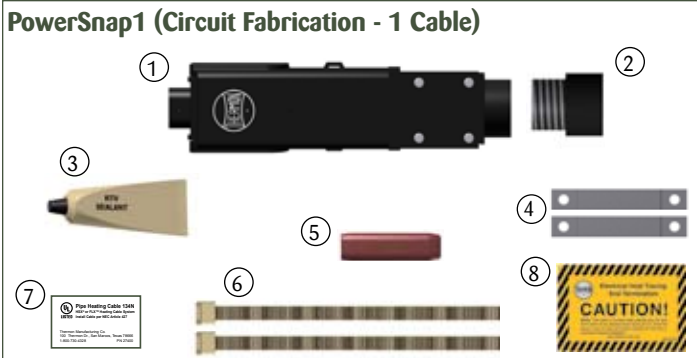
Power Connection, T-Splice and End Termination Kits

Introduction . . .

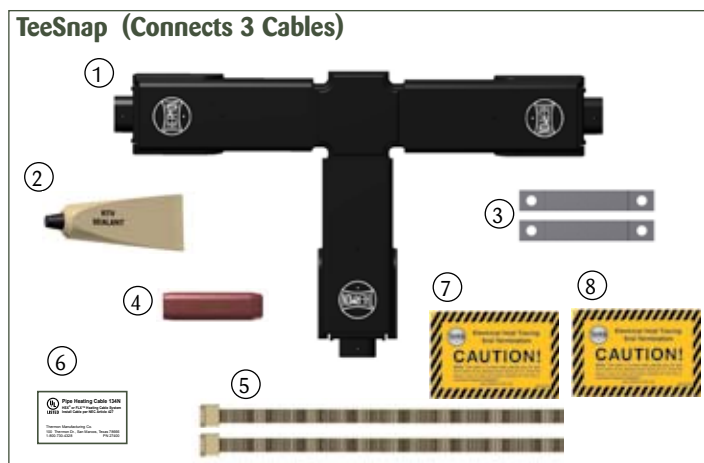
The following installation procedures are suggested guidelines for the installation of Thermon's Power Snap and Tee Snap connection systems. They are not intended to preclude the use of other methods and good engineering or field construction practices.

Receiving, Storing and Handling . . .

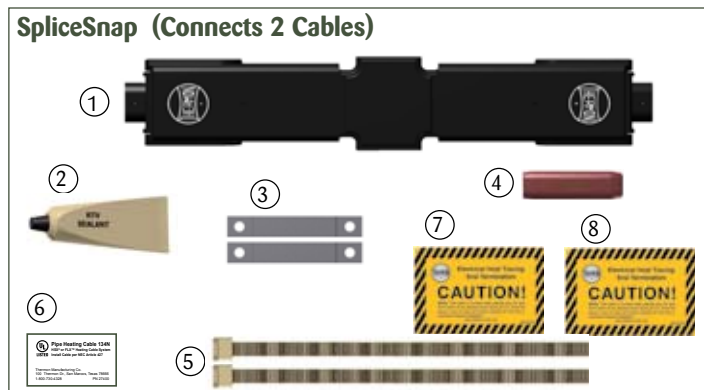
1. Inspect materials for damage incurred during shipping.
2. Report damages to the carrier for settlement.
3. Identify parts against the packing list to ensure the proper type and quantity have been received.
4. Store in a dry location.



Item	Quantity	PowerSnap and Powered TeeSnap Description
1	1	Cable Termination Assembly
2	1	Transition Gland
3	1	RTV Adhesive
4	2	Cable Attachment Mounts
5	1/2/3	ET-6 End Cap (See Kit Contents Shown Above)
6	2	Pipe Attachment Straps
7	1	UL Label
8	1/2/3	Caution Label End (See Kit Contents Shown Above)



Item	Quantity	TeeSnap Description
1	1	Cable Termination Assembly
2	1	RTV Adhesive
3	3	Cable Attachment Mounts
4	1	ET-6 End Cap
5	3	Pipe Attachment Straps
6	1	UL Label
7	1	Caution Label (End)
8	1	Caution Label (Splice)



Item	Quantity	SpliceSnap Description
1	1	Cable Termination Assembly
2	1	RTV Adhesive
3	2	Cable Attachment Mounts
4	1	ET-6 End Cap
5	2	Pipe Attachment Straps
6	1	UL Label
7	1	Caution Label (End)
8	1	Caution Label (Splice)

Installation Precautions . . .

- To minimize the potential for arcing and fire caused by product damage or improper installation use ground-fault protection. The National Electrical Code (NEC) and Canadian Electrical Code (CEC) and AS/NZS 3000:2007 require ground-fault protection of equipment for each branch circuit supplying electric heat tracing. **DO NOT OPEN WHILE ENERGISED**
- Installation must comply with Thermon requirements and be installed in accordance with the NEC, CEC, or any other applicable national and local codes.
- De-energize all power sources before opening enclosure.
- Keep ends of heating cable and kit components dry before and during installation.
- Component approvals and performance ratings are based on the use of Thermon specified parts only. User supplied power connection fittings must be listed or certified for intended use.
- The kit instructions should be used in conjunction with the installation instructions for the heating cable and other accessory items.

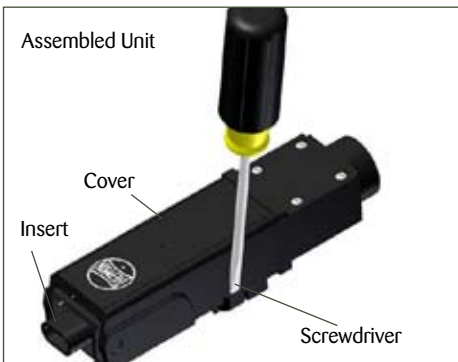
Certifications/Approvals . . .



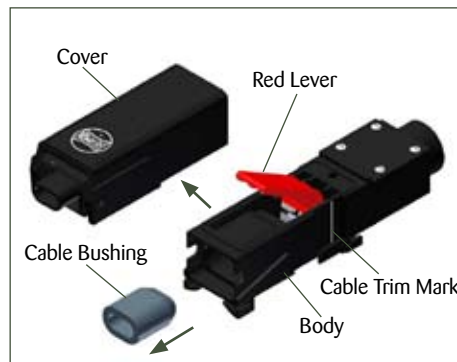
Tools Required . . .



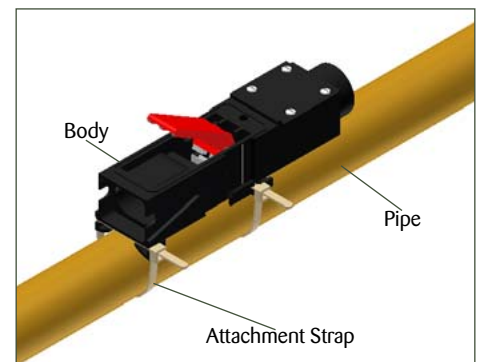
Power Connection and End Termination . . .



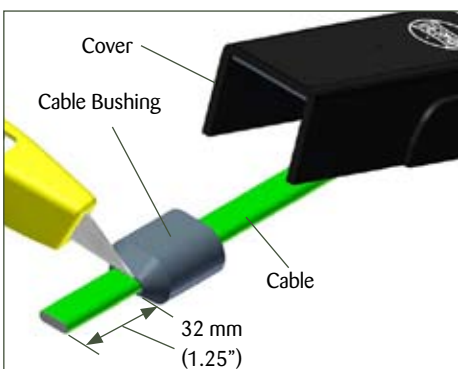
1. To remove the cover from body, place a small screw driver into the slot located on each side and gently pry while removing the cover.



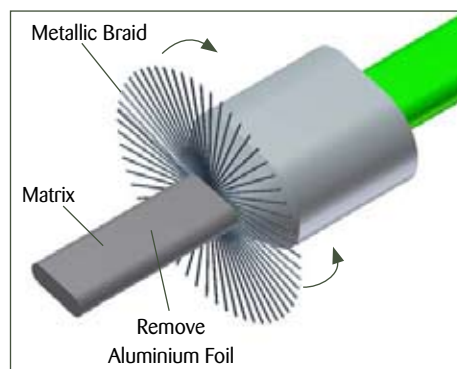
2. Each unit is shipped assembled and must be partially disassembled to facilitate installation. Do not remove red lever from body.



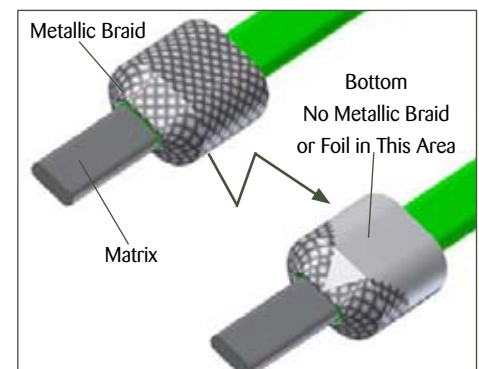
3. After determining the location for the kit the body may be mounted to the pipe with the attachment straps. Do not place the attachment straps over heating cable.



4. Slide the cover over the heating cable followed by the bushing. Remove 30mm (1.25") of the heating cable outer jacket. Do not cut or damage the metallic braid.

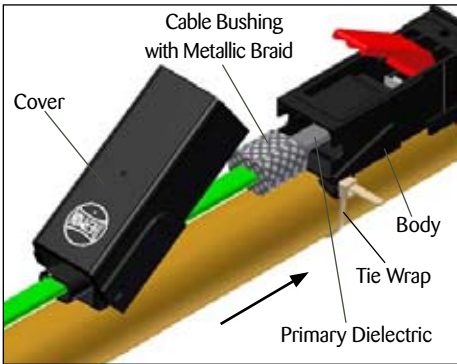


5. Fold the metallic braid back over the bushing. Peel off the aluminum foil layer on the cable below the braid. Do not remove any gray matrix covering the heating cable core.

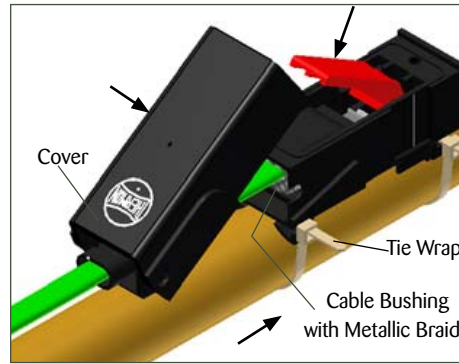


6. Keep the braid clear of the bottom of cable bushing to allow proper grounding when the cable bushing is inserted into the body.

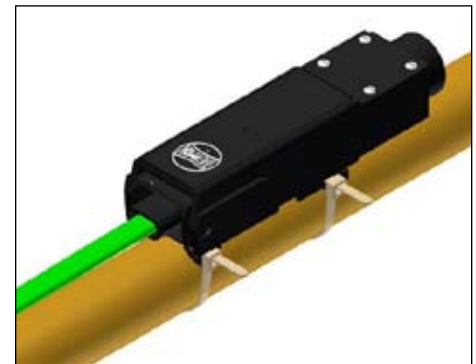
Power Connection, T-Splice and End Termination Kits



7. Insert the HSX cable (with the primary dielectric insulation still in place) into the end of the connector to the distance indicated.

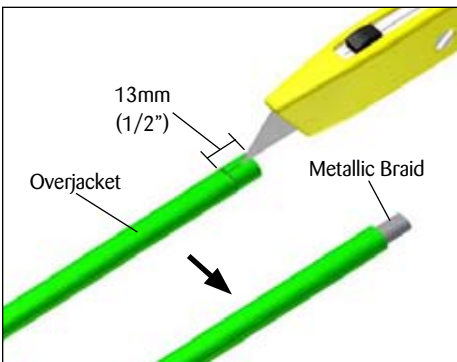


8. Slide cable bushing into PowerSnap body. Close the red clamp over the cable.

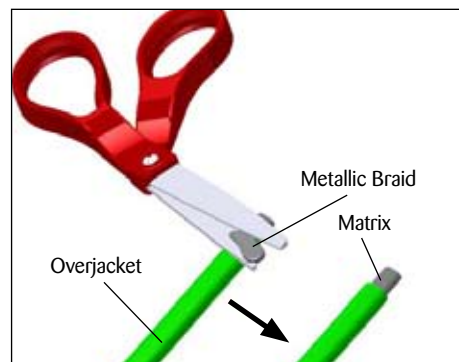


9. Slide cover against PowerSnap body and lower the cover until it snaps in place.

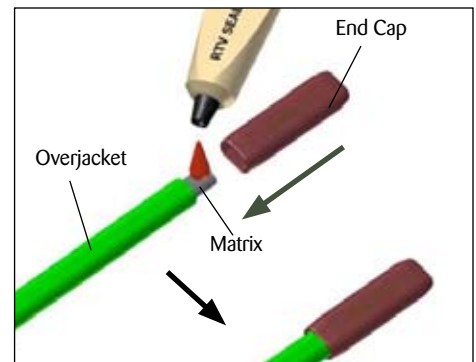
End Termination for HSX Cables



1. Cut and remove heating cable overjacket.



2. Trim ends of braid. Gently score the aluminium foil layer and peel away.



3. Apply a liberal amount of RTV sealant to the cable and inside end cap. Slide end cap onto end of cable.

Megger Testing . . . After the power connection kit and the end of circuit termination kit have been completed, the circuit needs to be megger tested. Refer to the WarmTrace HSX Cable Installation Procedures (CPD1014AP) for additional detail.



THERMON . . . The Heat Tracing Specialists®

Australian Headquarters
30 London Dr. • PO Box 532
Bayswater, Victoria 3153 • Australia
Phone: +61-3 9762 6900

Corporate Headquarters
100 Thermon Dr. • PO Box 609
San Marcos, TX 78667-0609 • USA
Phone: +1 512-396-5801

For the Thermon office nearest you
visit us at . . .
www.thermon.com