

E4-DR-4022

Electronic Heat Trace Controllers

Product Specifications

Application . . .

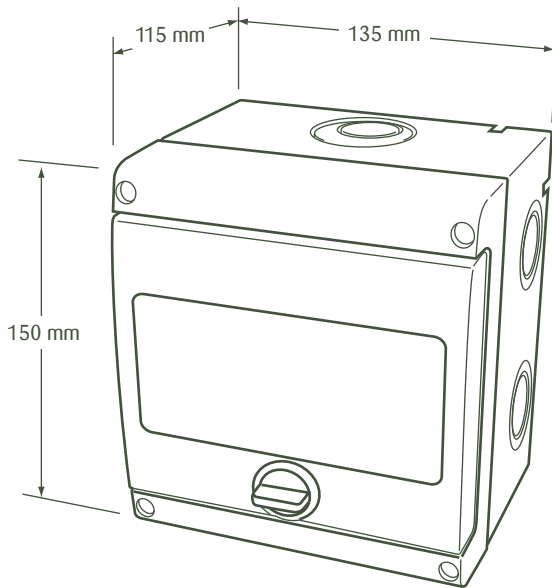
Electric Heat Tracing Control

The E4-DR-4022 is an electronic temperature control device developed specifically for heat tracing in non hazardous areas. The controller is able to switch a heat tracing circuit on/off as heat tracing is required and provides high or low temperature alarm output.

A rugged nonmetallic enclosure, suitable for non hazardous environments, provides watertight protection (per IP66) to the controller's electronics.

Ratings/Specifications . . .

Voltage rating.....	240 Vac
Switch capacity	
Maximum current.....	20 Amps at 240 Vac
Electrical connection	terminal block
Temperature input	suitable for PT 100 3-wire RTD
Temperature control range	
E4-DR-4022	0°C to 500°C



Product Features . . .

- Dual Digital Display
- Adjustable Temperature Control
- Sensor Input Pt 100 RTD (3 Wire)
- Enclosure Can Be Wall Mounted or Pipe Mounted with Optional PCA-2
- High or Low Temperature Alarm
- Keypad Access
- All Components are DIN Rail Mounted
- One Heat Trace Cable Entry per Thermostat,
- Cable Terminates Within Enclosure
No Need for Extra Junction Boxes

Certification/Approval . . .



Notes . . .

1. For 500°C operation a high temperature RTD is required.



THERMON . . . The Heat Tracing Specialists®
www.thermon.com

European Headquarters
Boezemweg 25 • PO Box 205
2640 AE Pijnacker • The Netherlands
Phone: +31 (0) 15-36 15 370

Corporate Headquarters
100 Thermon Dr. • PO Box 609
San Marcos, TX 78667-0609 • USA
Phone: +1 512-396-5801

For the Thermon office nearest you
visit us at . . .
www.thermon.com

