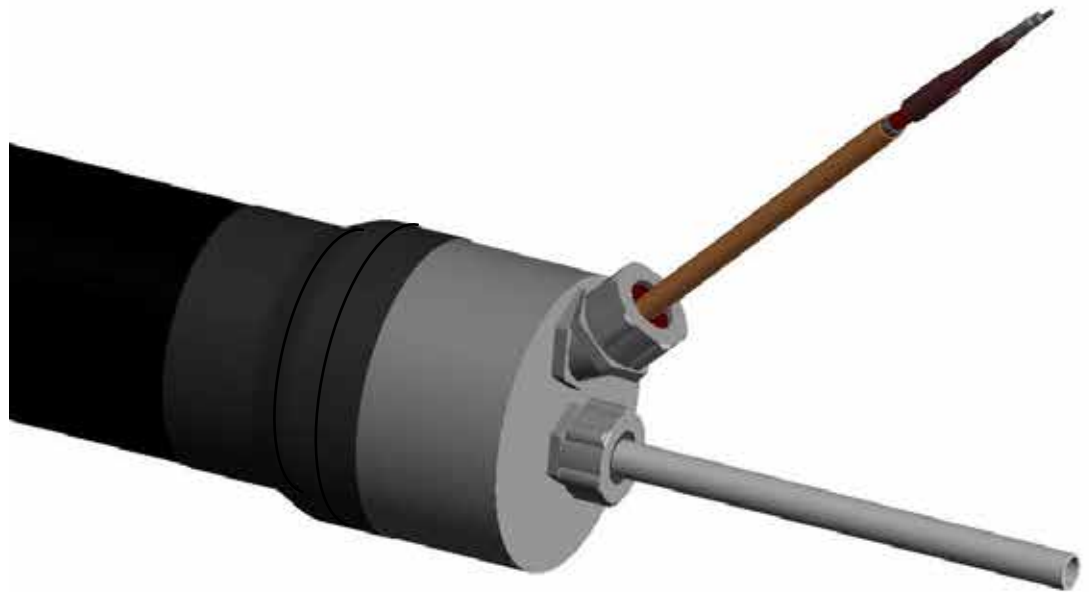


FAK-7HTS

High Temperature Tubing Bundle End Seal Kit

INSTALLATION PROCEDURES



The Heat Tracing Specialists®

FAK-7HTS

The following installation procedures are suggested guidelines for the installation of the FAK-7HTS High Temperature Tubing Bundle End Seal Kit.

Receiving, Storing and Handling . . .

1. Inspect materials for damage incurred during shipping.
2. Report damages to the carrier for settlement.
3. Identify parts against the packing list to ensure the propertype and quantity has been received.
4. Store in dry location.

58405 FAK-7HTS-HTX2-SL

- Up to 3" o.d., Single Tube, No Tracer
- For Thermon products SL-HTX2

58407 FAK-7HTS-HT/HTX-SL

- Up to 3.50" o.d., Single Tube, No Tracer
- For Thermon products SL-HT or SL-HTX

58406 FAK-7HTS-HTX2-SP

- Up to 3" o.d., Dual Tube, No Tracer
- For Thermon products SP-HT or SP-HTX2

58400 FAK-7HTS-HTX2-1

- Up to 3" o.d., Single Tube, Single Tracer
- For Thermon products SEI-HTX2

58401 FAK-7HTS-HT/HTX-1

- Up to 3.50" o.d., Single Tube, Single Tracer
- For Thermon products SEI-HT or SEI-HTX

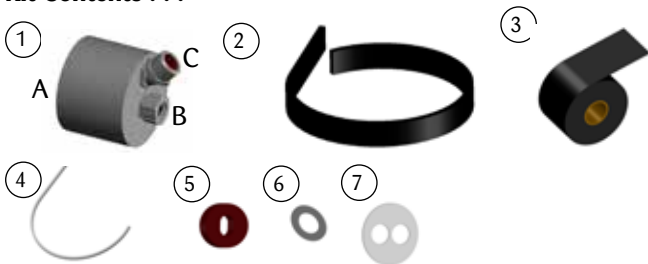
58402 FAK-7HTS-HT/HTX-2

- Up to 3.50" o.d., Dual Tube, Single Tracer
- For Thermon products MEI-HT or MEI-HTX

58403 FAK-7HTS-2HT/HTX-1

- Up to 3.50" o.d., Single Tube, Dual Tracer
- For Thermon products SEI-HT or SEI-HTX with 2 tracers

Kit Contents . . .



Item	Quantity	Description
1	1	A. High Temperature Tubing Bundle End Seal B. Tube Fitting (Single or Dual Tube) C. Heat Trace Fitting (if required)
2	1	Foam Insulation (2' Strip)
3	1	Self Vulcanizing Tape (Roll)
4	1	Graphite Packing Material
5	*	Heat Trace Grommet (if required)
6	*	Single Tube Washer (where required)
7	*	Dual Tube Washer (where required)

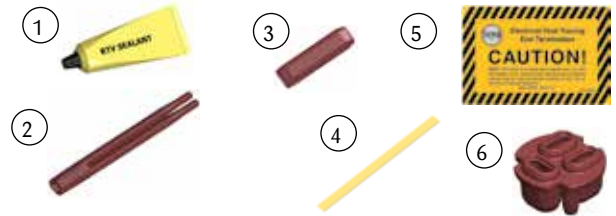
* Quantity will vary depending upon specific kit type

INSTALLATION PROCEDURES

Required if bundle includes heat trace: Order Separately for each heater to be terminated. Refer to PETK Instruction, Form PN50132 for additional information.

PETK Power and End Termination Kits (per heater)

PETK-3D for HPT



Item	Quantity	Description
1	1	RTV Sealant Tube
2	1	TBX Power Connection Boot
3	1	ET End Cap
4	1	Tape Strip Teflon 6" (PETK-3D only)
5	1	End Termination Caution Label
6	1	GRW-G Grommet (PETK-3D only)

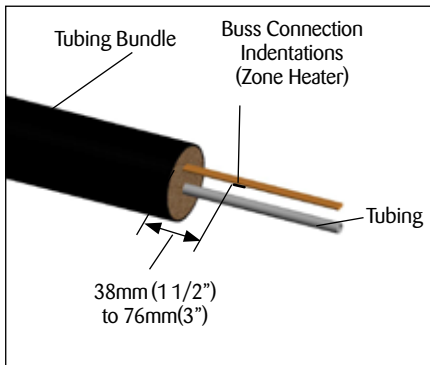
Installation Precautions . . .

- To minimize the potential for arcing and ground-fault protection, the National Electrical Code (NEC) and Canadian Electrical Code (CEC) require ground-fault protection of equipment for each branch circuit supplying electric heat tracing.
- Installation must comply with Thermon requirements and be installed in accordance with the NEC, CEC, or any other applicable national and local codes.
- Component approvals and performance ratings are based on the use of Thermon specified parts only. User supplied power connection fittings must be listed or certified for intended use.
- De-energize all power sources before opening enclosure.
- Keep ends of heating cable and kit components dry before and during installation.
- Individuals installing these products are responsible for complying with all applicable safety and health guidelines. Proper personal protective equipment, or PPE, should be utilized during installation. Contact Thermon if you have any additional questions.

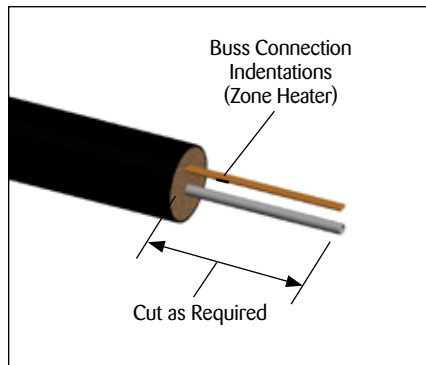
Tools Required . . .



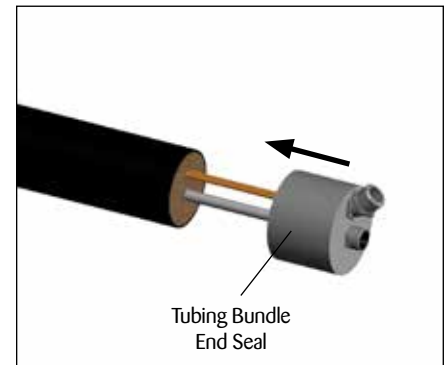
Electric Tracer . . .



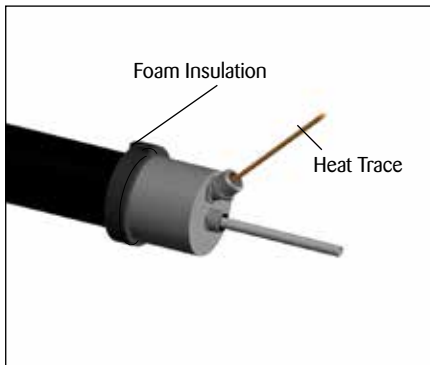
1. Remove outer jacket and insulation from the end of the tubing bundle. Strip back bundle insulation 38mm (1 1/2") to 76mm (3") beyond buss connection heat tracing.



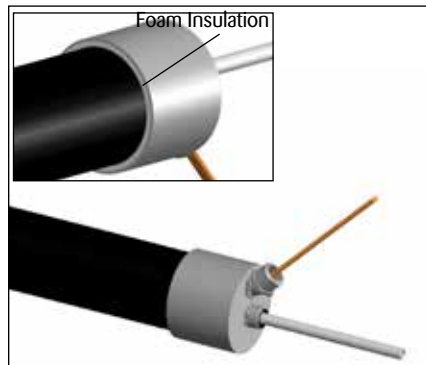
2. If buss connection indentation is less than 381mm (15") from end of the heat tracing, proceed stripping the bundle insulation to the next indentation.



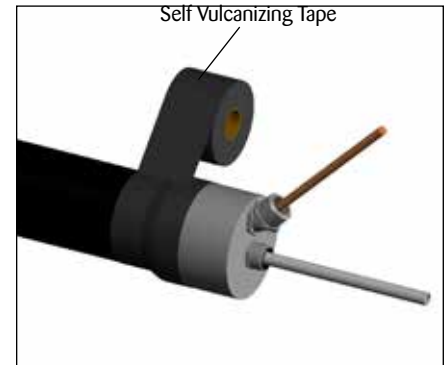
3. Remove fitting nuts and grommets. Slide the tubing bundle end seal over the tubing and heat trace. If bundle does not include heat trace, seal should only include a single fitting. Disregard any instructions toward heat trace if not applicable.



4. Wrap the foam insulation around the tubing bundle jacket.

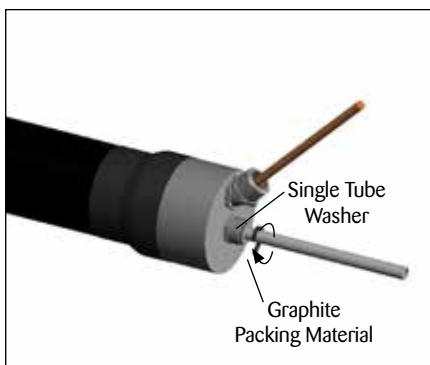


5. Slide foam insulation into the area between the tubing bundle end seal and the tubing bundle jacket routing the tubes and heat trace through their designated openings. Be sure the tubing bundle end seal lid touches the end of the bundle.

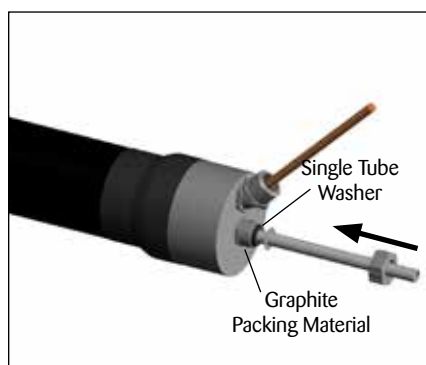


6. Wrap the self vulcanizing tape around the bundle jacket. Continue wrapping the tape around the bundle and end cap making sure to overlap each wrap by 50%.

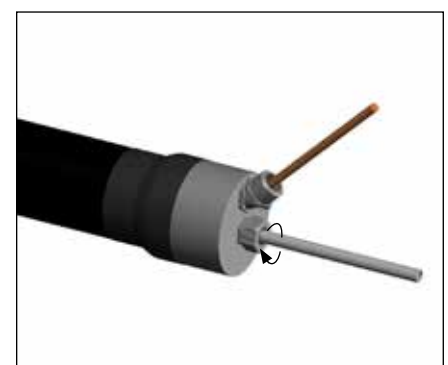
For Single Tube With Single or Dual Trace, Complete Steps 6-11. . .



7. Slide a single tube washer over the tube to make contact with the fitting. Wrap graphite packing material four complete wraps around the tubing and press into the cavity on the tube fitting. Cut away excess graphite packing material.

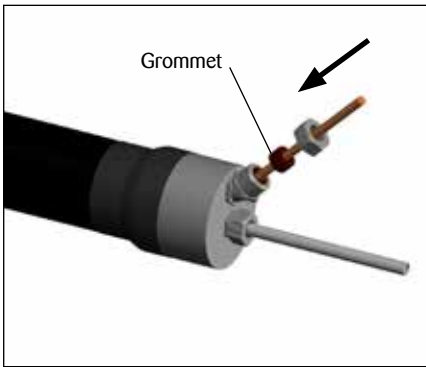


8. Slide the second single tube washer and the fitting nut over the tube.

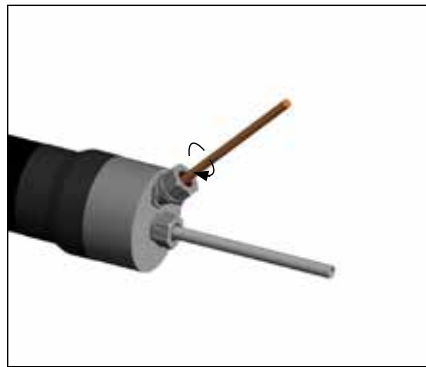


9. Tighten nut, compressing the washers and packing material into the fitting cavity.





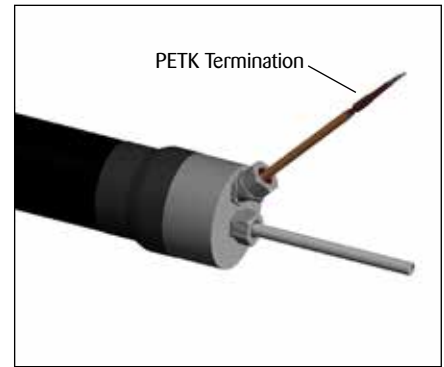
10. Slide the single or dual grommet and heat trace fitting nut over the heat tracer(s).



11. Tighten fitting nut to compress grommet against the heat tracer(s).

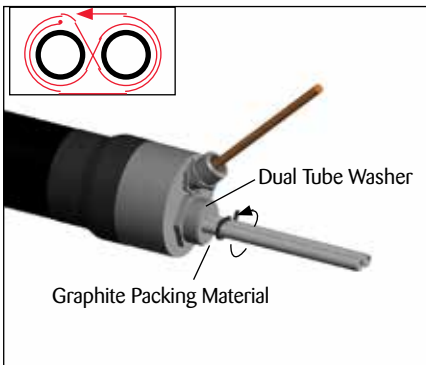


Do not overtighten the fitting nut as it may deform or damage the grommet.

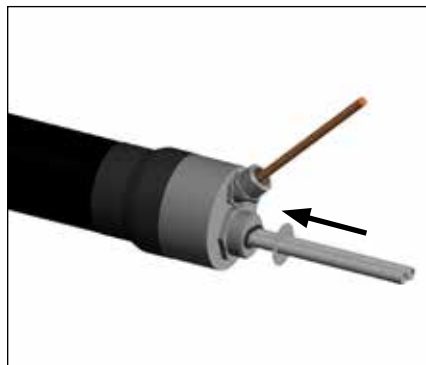


12. Terminate the heat trace with the appropriate PETK kit. Refer to the PETK Installation Instructions for details.

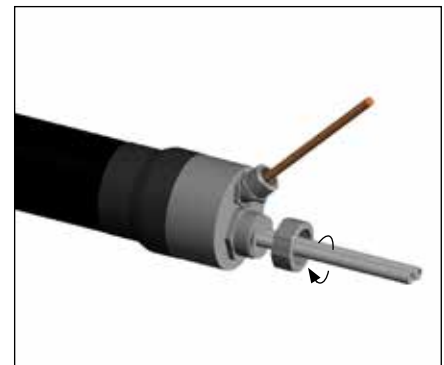
For Dual Tube Single Trace, Continue Steps 12-17. . .



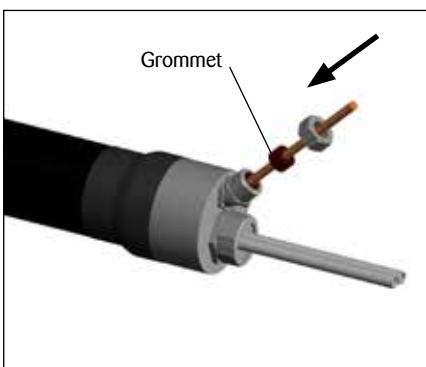
13. Slide a dual tube washer over the tubes to make contact with the fitting. Wrap graphite packing material around the tubing. See inset for details.



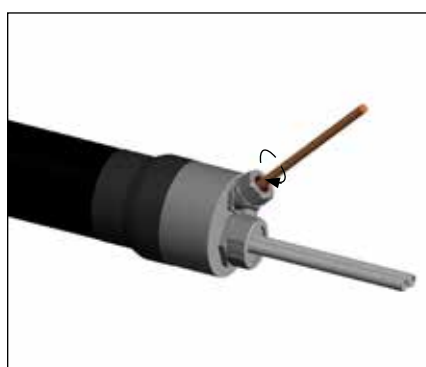
14. Slide the second dual tube washer over the tubes compressing the graphite packing material between the two washers.



15. Slide the tube fitting nut over the tubes and tighten, compressing the packing material and washers together.



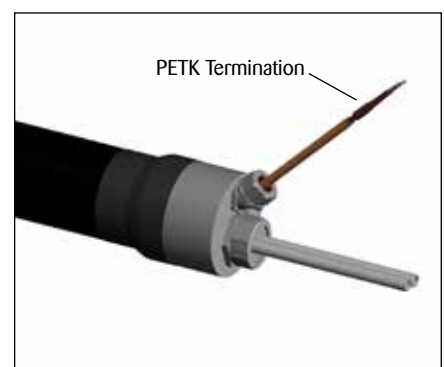
16. Slide the grommet and heat trace fitting nut over the heat tracer.



17. Tighten fitting nut to compress grommet against the heat tracer.



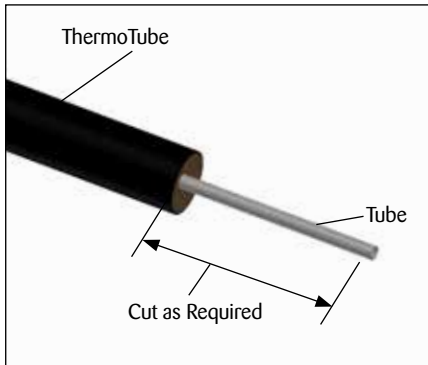
Do not overtighten the fitting nut as it may deform or damage the grommet.



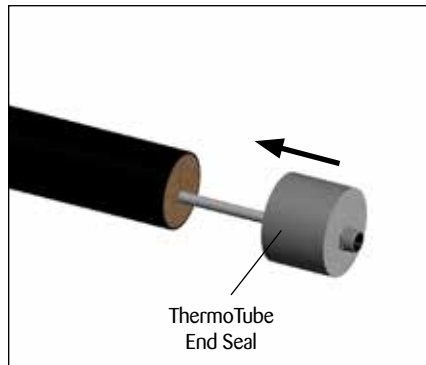
18. Terminate the heat trace with the appropriate PETK kit. Refer to the PETK Installation Instructions for details.



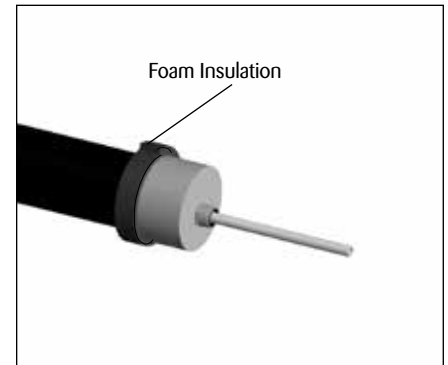
For Single Tube With No Tracer, Complete Steps 18-22. . .



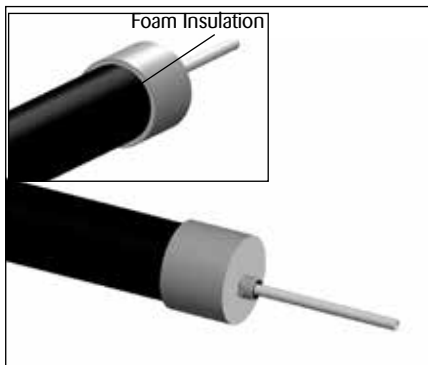
19. Remove outer jacket and insulation from the end of the ThermoTube.



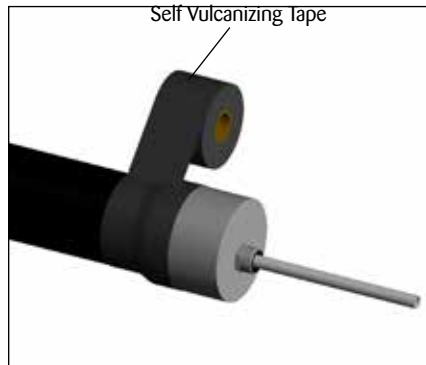
20. Remove fitting nut. Slide the ThermoTube end seal over the tube.



21. Wrap the foam insulation around the ThermoTube jacket.

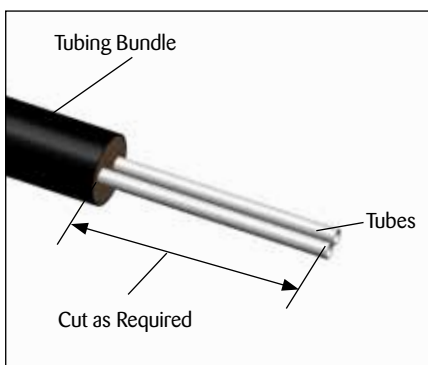


22. Slide foam insulation into the area between the ThermoTube end seal and the tube jacket routing the tube through the designated opening. Be sure the ThermoTube end seal lid touches the end of the bundle.

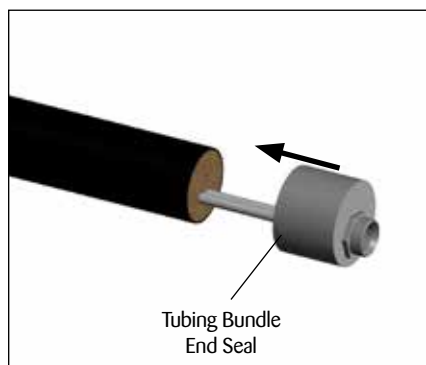


23. Wrap the self vulcanizing tape around the bundle jacket. Continue wrapping the tape around the bundle and end cap making sure to overlap each wrap by 50%.

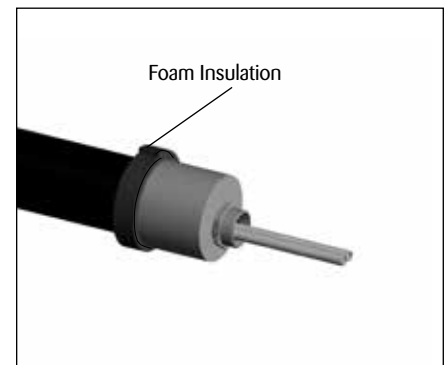
For Dual Tubes With No Tracer, Complete Steps 23-30 . . .



24. Remove outer jacket and insulation from the end of the tubing bundle.

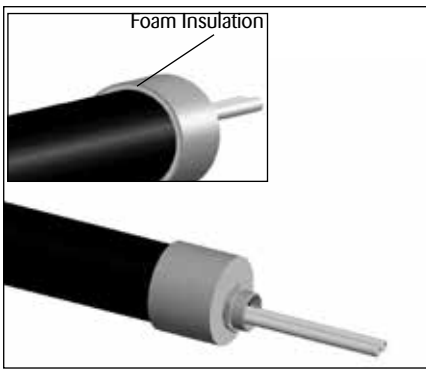


25. Remove fitting nuts and grommets. Slide the tubing bundle end seal over the tubing.

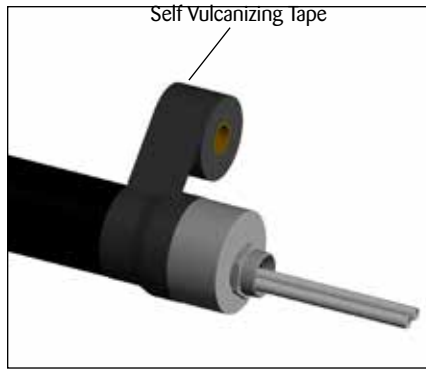


26. Wrap the foam insulation around the tubing bundle jacket.

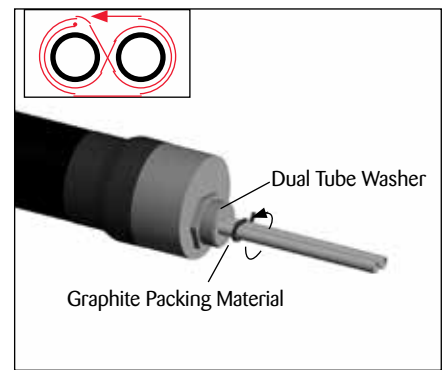




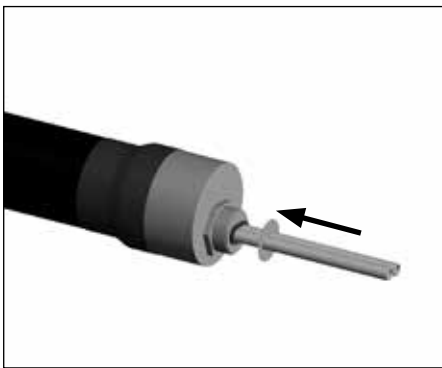
27. Slide foam insulation into the area between the tubing bundle end seal and the tubing bundle jacket routing the tubes through their designated openings. Be sure the tubing bundle end seal lid touches the end of the bundle.



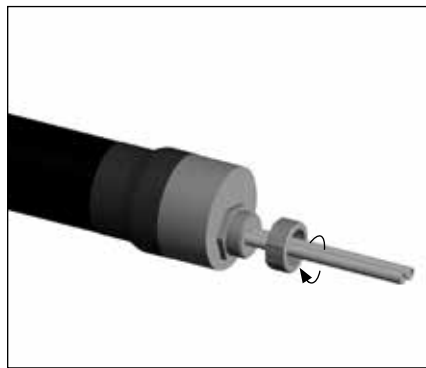
28. Wrap the self vulcanizing tape around the bundle jacket. Continue wrapping the tape around the bundle and end cap making sure to overlap each wrap by 50%.



29. Slide a dual tube washer over the tubes to make contact with the fitting. Wrap graphite packing material around the tubing. See inset for details.



30. Slide the second dual tube washer over the tubes compressing the graphite packing material between the two washers.



31. Slide the tube fitting nut over the tubes and tighten, compressing the packing material and washers together.



THERMON . . . The Heat Tracing Specialists®
www.thermon.com

Corporate Headquarters
100 Thermon Dr. • PO Box 609
San Marcos, TX 78667-0609 • USA
Phone: +1 512-396-5801



Specifications and information are subject to change without notice. Form PN50028U-0315

For the Thermon office nearest you
visit us at . . .
www.thermon.com