

Terminator™ ZS/ZE

In Line Splice/End Termination Kit

INSTALLATION PROCEDURES

For In-Line Splice Connection and End Termination Applications



The Heat Tracing Specialists®

Terminator™ ZS/ZE

INSTALLATION PROCEDURES

Kit Contents . . .

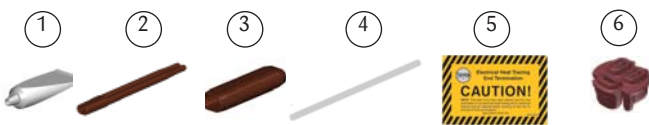


Item	Quantity	Description
1	1	Expediter Assembly Grommet Compressor Grommet Support Base with O-Ring
2	1	Splice Cap
3	1	Banding Guide
4	1	Banding

Order Separately for End Termination

PETK Power and End Termination Kits (per cable)

- PETK-1 for BSX, RSX, VSX
- PETK-2 for KSX, HTSX,
- PETK-3 for FP, HPT

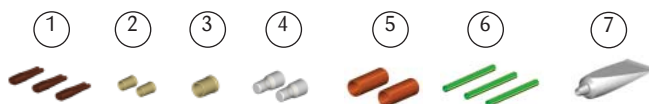


Item	Quantity	Description
1	1	RTV Tube
2	1	Power Connection Boot
3	1	End Cap
4	1	Tape Strip Teflon 6" (PETK-3 only)
5	1	End Termination Caution Label
6	1	GRW-G Grommet (PETK-3 only)

Order Separately for Inline Splice

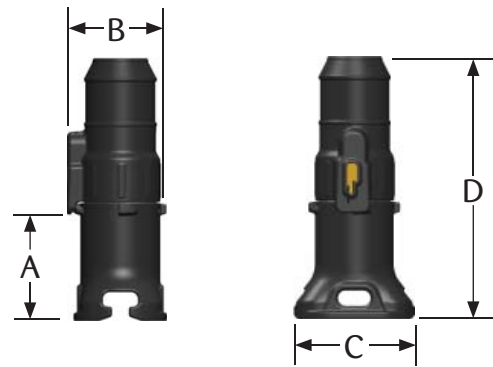
SCTK Splice Connection Termination Kits (per cable)

- SCTK-1 for BSX, RSX, VSX
- SCTK-2 for KSX, HTSX,
- SCTK-3 for FP, HPT



Item	Quantity	Description
1	3	Splice Connection Boots
2	2	Small Crimps
3	1	Large Crimp
4	2	Small Crimp Insulators
5	2	Silicone Caps
6	3	Ground Sleeves
7	1	RTV Tube

Dimensions . . .

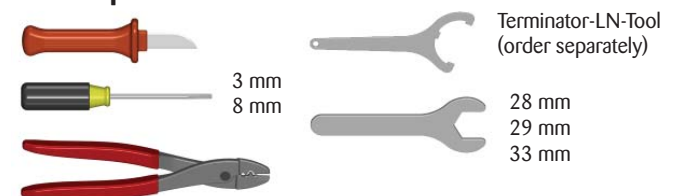


	A	B	C	D
	inch (mm)	inch (mm)	inch (mm)	inch (mm)
Terminator ZS/ZE	3" (75mm)	3" (75mm)	3-1/2" (90mm)	7-3/4" (200mm)

Warnings . . .

- Due to the risk of electrical shock, arcing and fire caused by product damage or improper usage, installation or maintenance, a ground-fault protection device is required.
- Installation must comply with Thermon requirements and be installed in accordance with the regulations as per the norm EN IEC 60079-14 for hazardous areas (where applicable), or any other applicable national and local codes.
- Component approvals and performance ratings are based on the use of Thermon specified parts only.
- De-energize all power sources before opening enclosure.
- Avoid electrostatic charge. Clean only with a damp cloth.
- Keep ends of heating cable and kit components dry before and during installation.
- Minimum bending radius of heating cable is 32 mm (except HPT is 57 mm and FP is 19 mm).
- Individuals installing these products are responsible for complying with all applicable safety and health guidelines. Proper Personal Protective Equipment (PPE) should be utilized during installation. Contact Thermon if you have any additional questions.

Tools Required . . .



Certifications/Approvals . . .

IP66 -60°C ≤ Ta ≤ +55°C

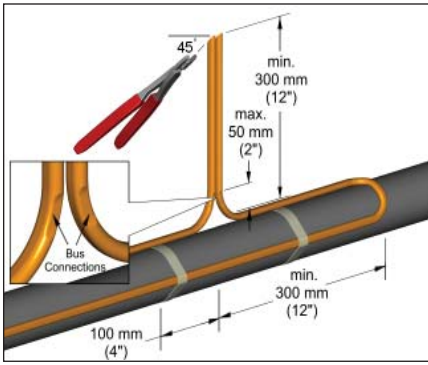
Ordinary & Hazardous Locations

FMG 10.0022X Ex eb IIC T4-T6, Ex tb IIIC T135°C-T85°C

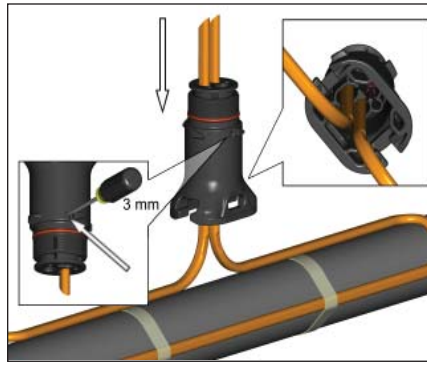
1725 II 2 GD Ex eb IIC T4-T6, Ex tb IIIC T135°C-T85°C FM 10ATEX0058X

Terminator has additional hazardous area approvals including:

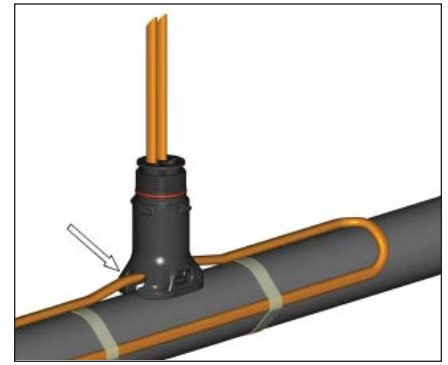
- GGTN • Kazakhstan



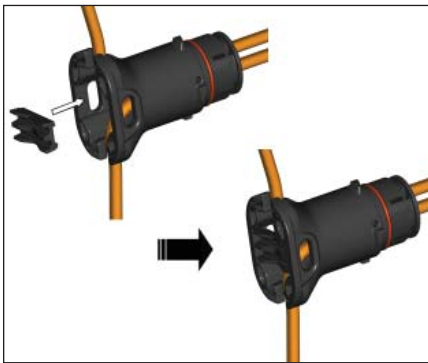
1. Locate bus connection (HPT and FP only) and cable as shown. Cut end of cable at angle to aid in piercing grommet. Leave additional cable for expansion loop. See page 4 for multiple cable installation tips.



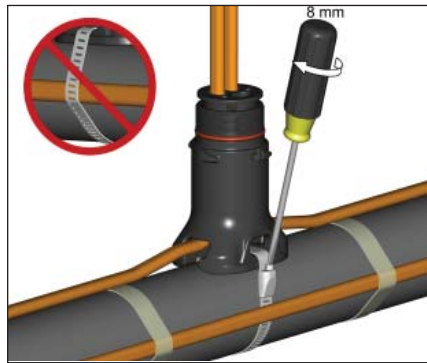
2. Insert cable into expediter. If mounted on bottom or side of pipe, punch out weep hole. Note: For HPT and FP cable, exchange grommet in Terminator with GRW-G provided in PETK-3.



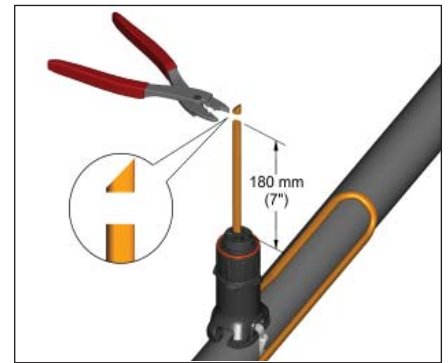
3. Slide expediter toward pipe and route cable through support base entry.



4. Insert banding guide into expediter and snap into place..



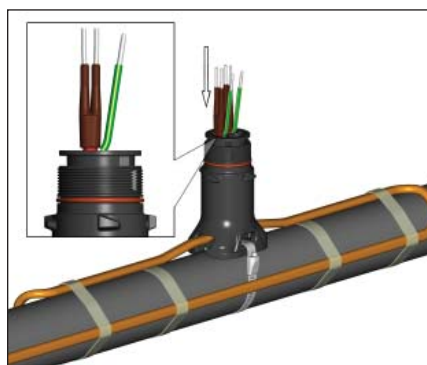
5. Mount expediter to pipe using pipe band. Do not band over cable.



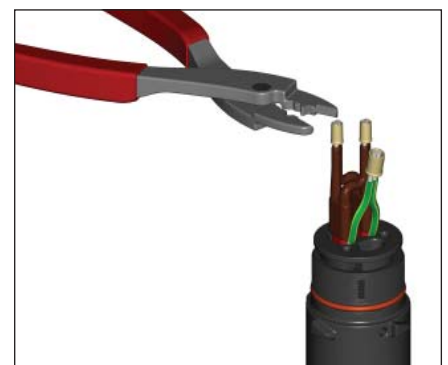
6. Cut off end of cable. .



7. Terminate cable with appropriate PETK termination kit. Refer to PETK installation instructions.

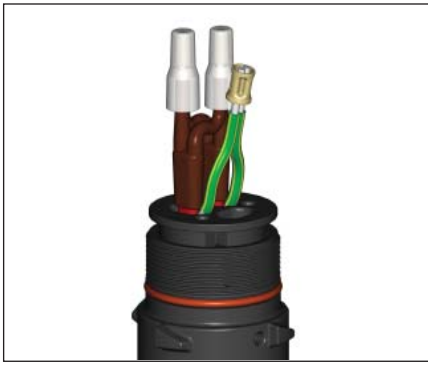


8. Push excess cable back through expediter. Tighten cap securely. Tape cable expansion loop to pipe.

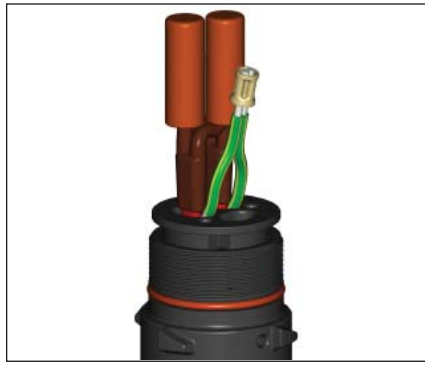


9. Connect bus wires using small crimps and connect ground wires using large crimp. See page 9 for wiring details. Trim excess wire if necessary.

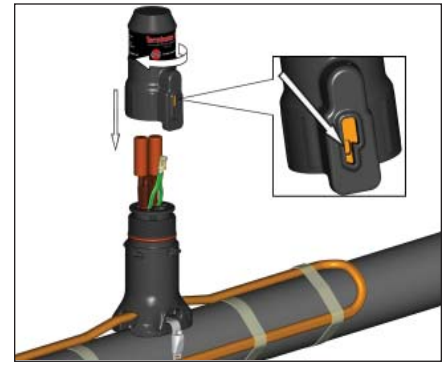




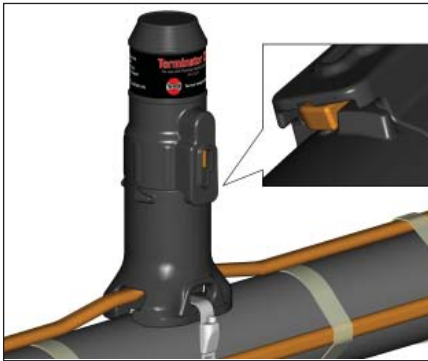
10. Snap on crimp insulators



11. Slide silicone caps over crimp insulators.



12. Tighten cap securely.

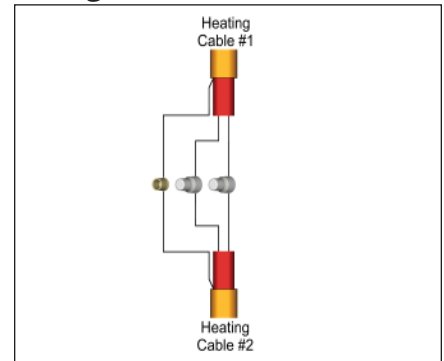


13. Completed splice kit. Make sure latch mechanism is in the locked position.



14. To remove cap, lift latch mechanism and unscrew cap.

Wiring Details



In-Line Splice



THERMON . . . The Heat Tracing Specialists®
www.thermon.com

European Headquarters
Boezemweg 25 • PO Box 205
2640 AE Pijnacker • The Netherlands
Phone: +31 (0) 15-36 15 370

Corporate Headquarters
100 Thermon Dr. • PO Box 609
San Marcos, TX 78667-0609 • USA
Phone: +1 512-396-5801

For the Thermon office nearest you
visit us at . . .
www.thermon.com



Specifications and information are subject to change without notice. Form PN50816U-0612