

Terminator™ ZP-WP Power Connection Kit INSTALLATION PROCEDURES



For Power Connection, In-Line Splice Connection,
T-Splice Connection or End Termination Applications



The Heat Tracing Specialists®

Terminator™ ZP-WP

The following installation procedures are suggested guidelines for the installation of the Terminator ZP-WP Kit. For translations other than English and local language translation provided here, please contact Thermon. The English language installation procedure shall govern.

Receiving, Storing and Handling . . .

1. Inspect materials for damage incurred during shipping.
2. Report damages to the carrier for settlement.
3. Identify parts against the packing list to ensure the proper type and quantity has been received.
4. Store in dry location.

Kit Contents . . .



Item	Quantity	Description
1	1	Expediter Assembly Support Cap with O-Ring Threaded Grommet Compressor Grommet Support Base with O-Ring
2	1	Junction Box Lid
3	1	Junction Box Base with O-Ring & M25 Dust Cap
4	1	Nut
5	1	Banding
6	1	Terminal Blocks with DIN Rail (Refer to terminal specifications for maximum allowable wire size)
7	1	Junction Box Cord
8	1	Blind Plug
9	1	Bracket
10	3	Screws
11	3	Washers

Order Separately . . .

PETK Power and End Termination Kits (per cable)

PETK-1	for RSX, VSX, BSX
PETK-2	for KSX, HTSX
PETK-3	for HPT, FP

INSTALLATION PROCEDURES

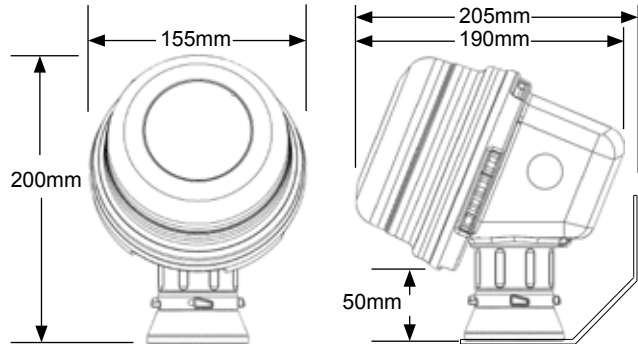
Order Separately . . .

IEK Insulation Entry Kit (per cable)

IEK-SXL	for RSX, VSX
IEK-SXM	for BSX
IEK-SXS	for KSX, HTSX
IEK-HPT	for HPT, FP



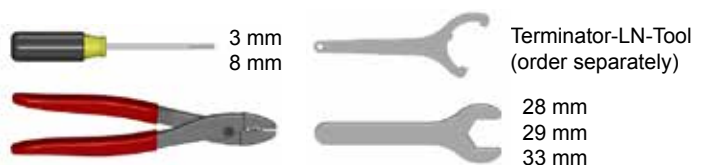
Dimensions . . .



Warnings . . .

- Due to the risk of electrical shock, arcing and fire caused by product damage or improper usage, installation or maintenance, a ground-fault protection device is required.
- Installation must comply with Thermon requirements (including form PN 50207U for Ex systems) and be installed in accordance with the regulations as per the norm EN IEC 60079-14 for hazardous areas (where applicable), or any other applicable national and local codes.
- Component approvals and performance ratings are based on the use of Thermon specified parts only.
- De-energize all power sources before opening enclosure.
- Avoid electrostatic charge. Clean only with a damp cloth.
- Keep ends of heating cable and kit components dry before and during installation.
- Minimum bending radius of heating cable is 32 mm (except HPT is 57 mm and FP is 19 mm).
- Individuals installing these products are responsible for complying with all applicable safety and health guidelines. Proper Personal Protective Equipment (PPE) should be utilized during installation. Contact Thermon if you have any additional questions.

Tools Required . . .



Certifications/Approvals . . .

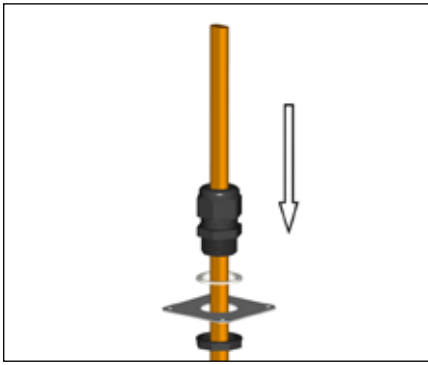
IP66 -60°C ≤ Ta ≤ +55°C
Ordinary & Hazardous Locations

FMG 10.0022X Ex eb IIC T4-T6, Ex tb IIIC T135°C-T85°C

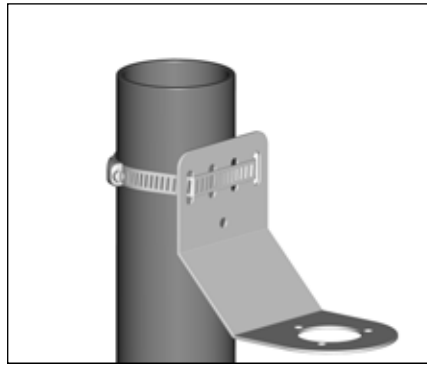
1725 Ex eb IIC T4-T6, Ex tb IIIC T135°C-T85°C FM 10ATEX0058X



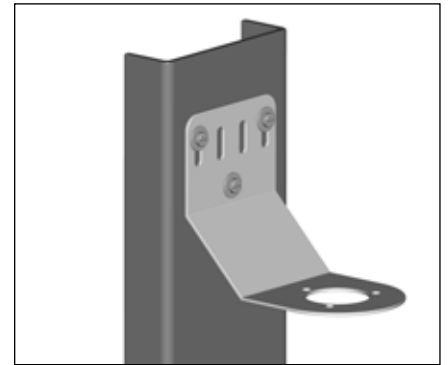
The Heat Tracing Specialists®



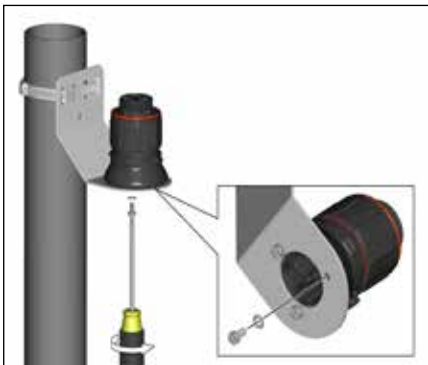
1. Slide appropriate IEK insulation entry kit components onto cable.



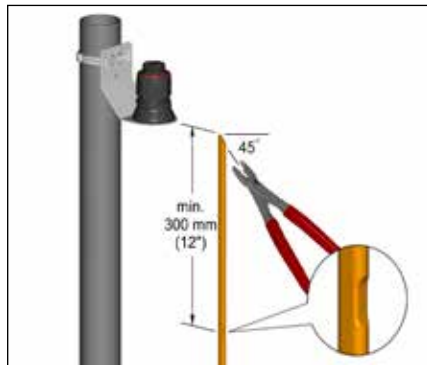
2a. Mounting Method 1: Secure wall mount bracket to mounting surface using pipe band provided with kits.



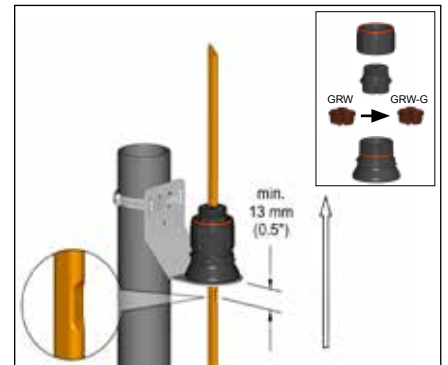
2b. Mounting Method 2: Secure wall mount bracket to mounting surface using customer supplied screws, flat washers, and nuts.



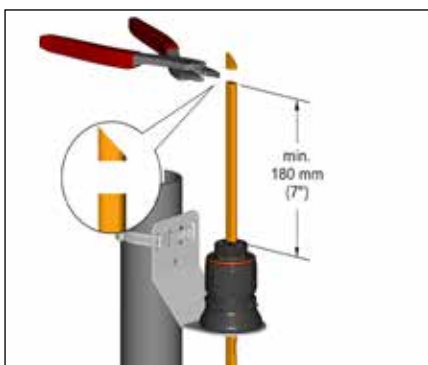
3. Mount expediter to bracket using M5 x 8 mm screws and M5 lock washers.



4. Locate bus connection (HPT and FP only) as shown. Cut end of cable at angle to aid in piercing grommet. Leave additional cable for expansion as needed.



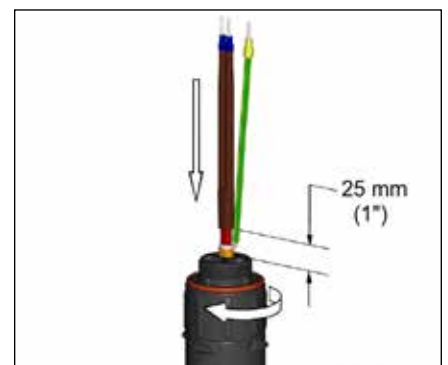
5. Insert cable into expediter. Make sure bus connection (HPT and FP only) remains outside of expediter.
Note: For HPT and FP cable, exchange grommet in Terminator with GRW-G provided in PETK-3.



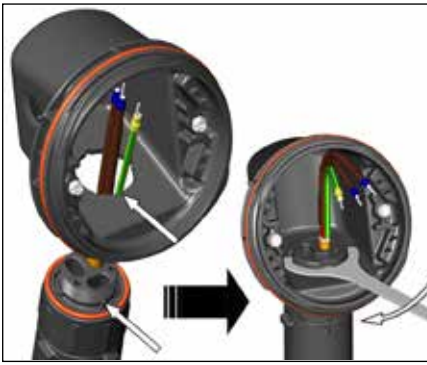
6. Cut off end of cable.



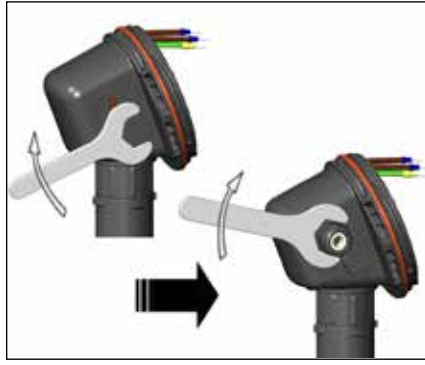
7. Terminate cable with appropriate PETK termination kit. Refer to PETK installation instructions.



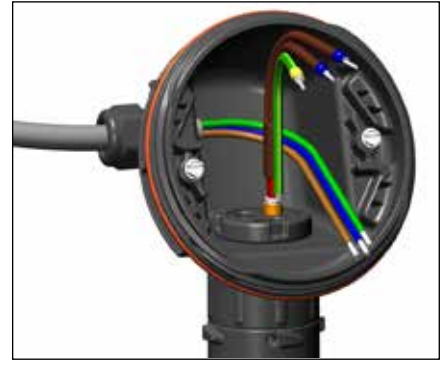
8. Push excess cable back through expediter. Tighten cap securely. Tape cable expansion loop to pipe.



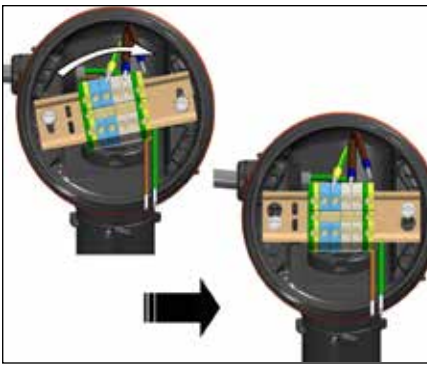
9. Mount junction box base on expediter. Make sure to align slots to properly orient junction box base. Tighten nut with Terminator-LN-Tool. If mounting horizontally, threaded gland holes must face downward.



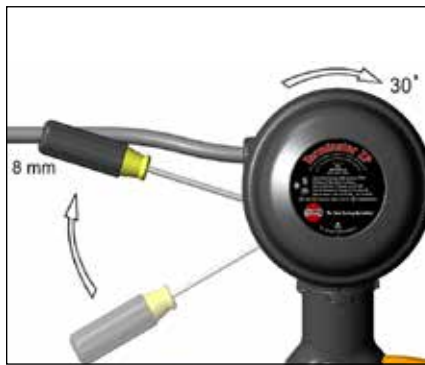
10. Remove M25 dust cap. Install M25 power gland (order separately) and M25 blind plug. For in-line splice, T-splice, or end termination, install additional M25 blind plug (order M25-B-EXE separately) instead of M25 power gland.



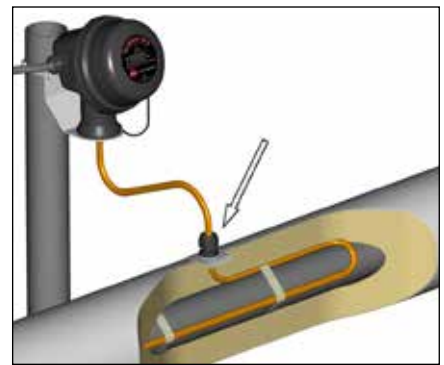
11. Install power cable.



12. Install terminal block and complete system wiring. Terminal set screws shall be tightened to a torque value of 1.4 Nm (12.4 lb-in). See below for wiring details.

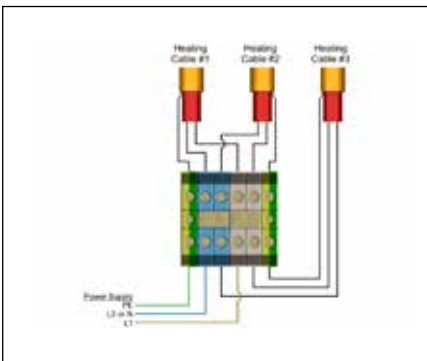


13. Install junction box lid and twist hand tight. Insert screwdriver into ratchet slots located on side of junction box base. Use screwdriver to ratchet on junction box lid. Lid will rotate 30 degrees. To remove lid, repeat step 13 but in the opposite direction.

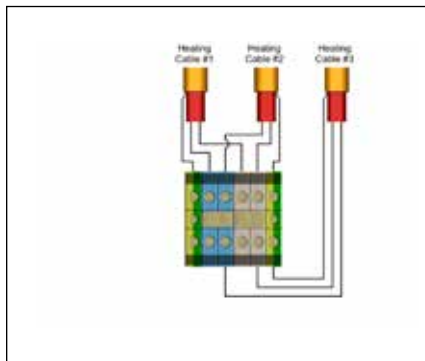


14. Install IEK insulation entry kit to seal heating cable penetration through insulation cladding.

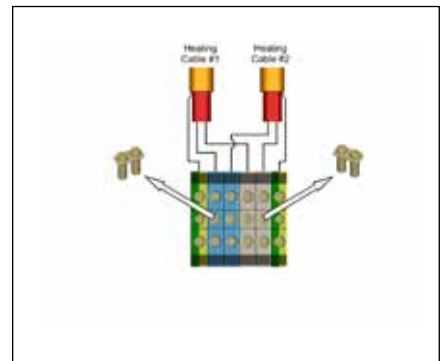
Wiring Details



Power Connection (1 to 3 Heating Cables)



In-Line Splice and T-Splice



End Termination (1 to 2 Heating Cables)
Remove jumpers for 2 cable terminations.



THERMON . . . The Heat Tracing Specialists®
www.thermon.com

European Headquarters
Boezemweg 25 • PO Box 205
2640 AE Pijnacker • The Netherlands
Phone: +31 (0) 15-36 15 370

Corporate Headquarters
100 Thermon Dr. • PO Box 609
San Marcos, TX 78667-0609 • USA
Phone: +1 512-396-5801

For the Thermon office nearest you
visit us at . . .

www.thermon.com



Specifications and information are subject to change without notice. Form PN50846U-0114