



PRODUCT SPECIFICATIONS

Power Cable Glands non-metallic

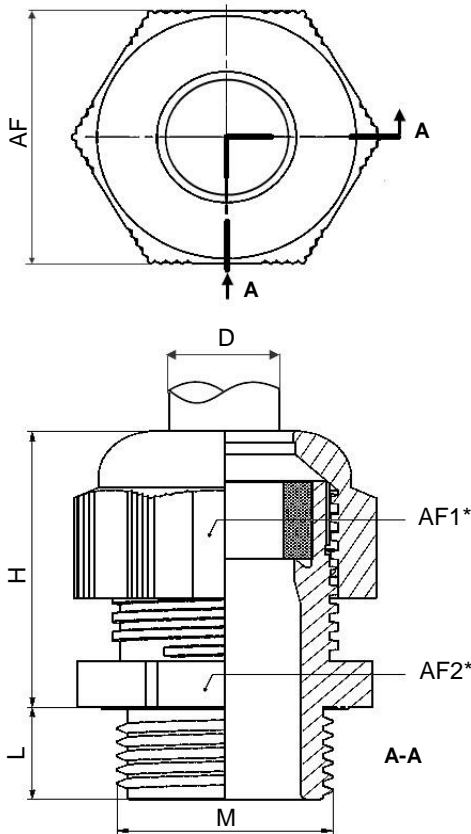
APPLICATION

These polyamide glands are used for inserting power cables into the enclosure. The glands are certified for use in ordinary (nonclassified) areas and in potentially explosive atmospheres in accordance with the ATEX Directive and the IECEx Scheme.

RATINGS / TECHNICAL DATA

Protection Class..... IP66/IP68 (EN60529)

DIMENSIONS



*AF= Width across flats



CONSTRUCTION

- Gland Body & Cap Nut.....Polyamide
- Sealing Silicon
- Color Black
- UV resistant

CERTIFICATIONS / APPROVALS



IMQ 14ATEX1008X
II 2 G Ex e IIC Gb
II 2 D Ex tb IIIC Db



International Electrotechnical Commission
IEC Certification Scheme for Explosive Atmospheres
PTB 14.0011X

Item Name	Thread	L mm	H-max mm	AF1 mm	AF2 mm	Torque Value Nm	D min - max mm	Ambient Temperature	Item Number	Cable type
Power Gland M20 EXE + PT100 + TESH (8161 7-13)	M20 x 1,5	10	33,0	24	24	1,5	4,0 - 13,0	-60°C to 75°C	453.104.430	non-armoured
Power Gland M25 EXE (8161 10-17)	M25 x 1,5	10	41,0	29	29	2,0	7,0 - 17,0	-60°C to 75°C	453.105.430	non-armoured

THERMON The Heat Tracing Specialists®



European Headquarters: Boezemweg 25 • PO Box 205 • 2640 AE Pijnacker • The Netherlands • Phone: +31 (0) 15-36 15 370
Corporate Headquarters: 100 Thermon Dr • PO Box 609 San Marcos, • TX 78667-0609 • Phone: 512-396-5801 • 1-800-820-4328
For the Thermon office nearest you visit us at . . . www.thermon.com

Form TEP0165U-1216 • © Thermon Manufacturing Co. • Printed in U.S.A. • Information subject to change.