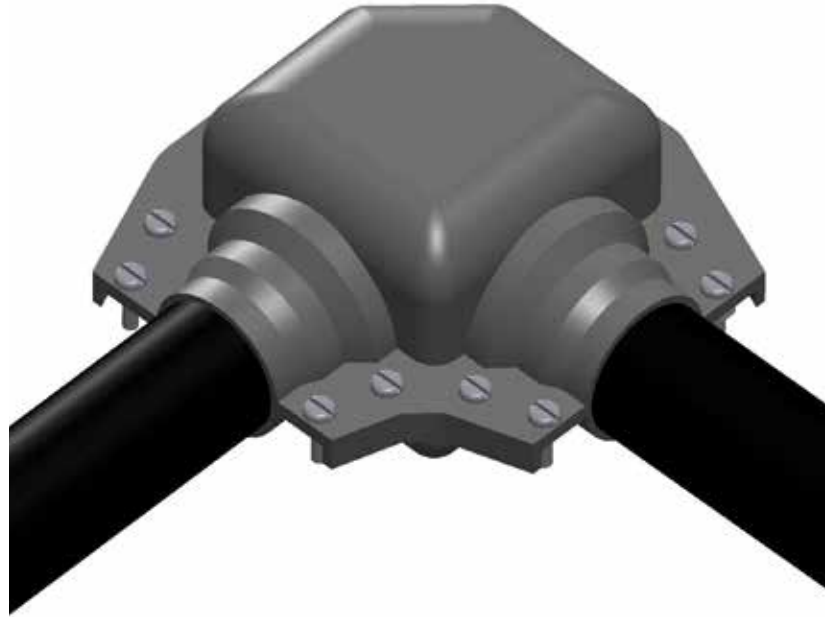


FAK-2LHT Kit
for Elbow Splice of
ThermoTube or Fluid/Steam Heated
TubeTrace Bundles
INSTALLATION PROCEDURES



The Heat Tracing Specialists®

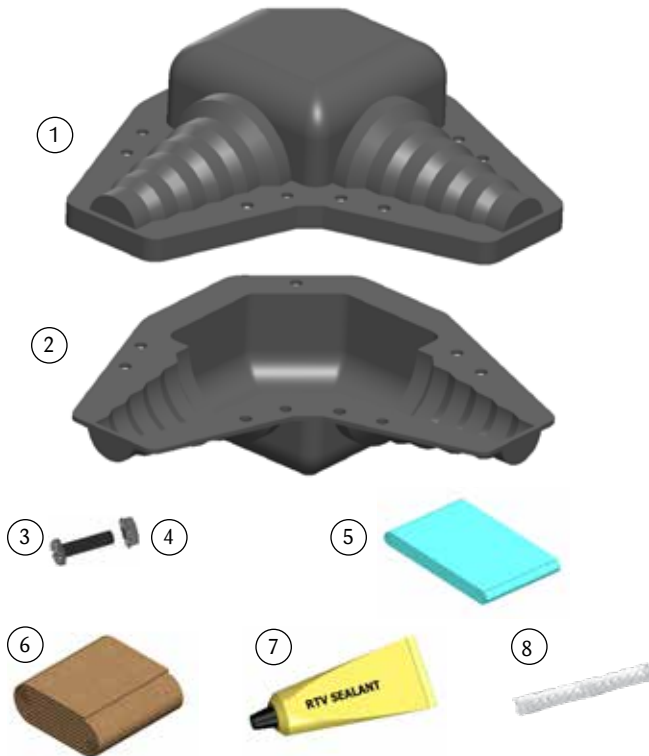
FAK-2LHT Elbow Splice Kit

The FAK 2LHT Elbow Splice Kit is designed to make a waterproof seal over the end of Fluid/Steam Heated TubeTrace or ThermoTube where a 90° elbow is required. Review instructions prior to installation. Kit will make one splice connection.

Receiving, Storing and Handling . . .

1. Inspect materials for damage incurred during shipping.
2. Report damages to the carrier for settlement.
3. Identify parts against the packing list to ensure the proper type and quantity has been received.
4. Store in a dry location.

FAK-2LHT Elbow Splice Kit . . .

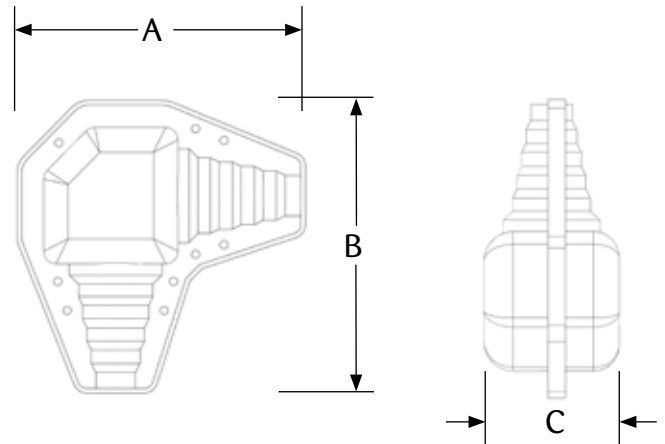


Kit Content . . .

Item	Quantity	Description
1	1	90° Elbow Splice Cover (Top)
2	1	90° Elbow Splice Cover (Bottom)
3	11	PanHead S.S. Screws, #10-32 x 3/4" (FAK-2L)
4	11	KEPT S.S. Nuts, #10-32 (FAK-2L)
5	1	Heat Reflective Tape
6	1	Glass Fiber Tape
7	2	RTV Sealant Tube
8	1	Fiberglass Rope, 1/2" Dia. X 12' Length

INSTALLATION PROCEDURES

Dimensions . . .



	A inch (mm)	B inch (mm)	C inch (mm)
FAK-2LHT	9-5/8" (245 mm)	9-5/8" (245 mm)	3-3/4" (95 mm)

Installation Precautions . . .

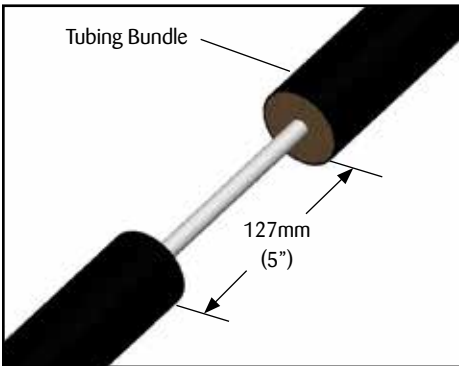
- Installation must comply with Thermon requirements and be installed in accordance with the any other applicable local codes.
- Warranty and performance ratings are based on the use of Thermon specified parts only.
- Individuals installing these products are responsible for complying with all applicable safety and health guidelines. Proper personal protective equipment, or PPE, should be utilized during installation. Contact Thermon if you have any additional questions.

Tools Required . . .

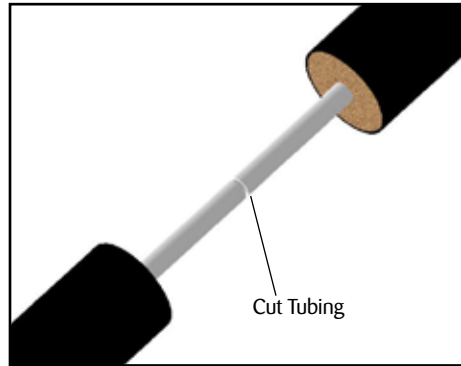


FAK-2LHT Elbow Splice Kit

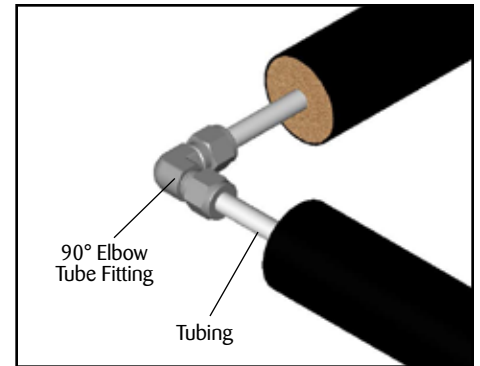
INSTALLATION PROCEDURES



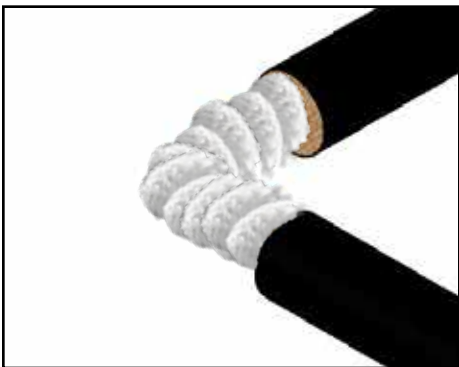
1. Remove approximately 127mm (5") of outer jacket and insulation from tubing bundle.



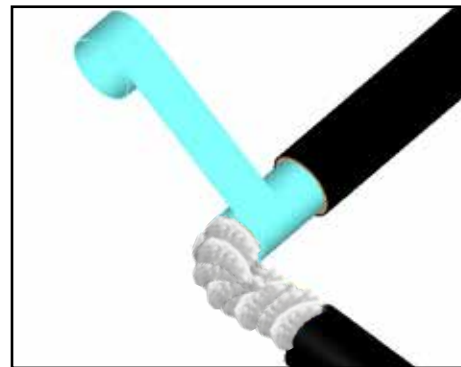
2. Cut tubing insuring a clean, square cut. Deburr tube ends.



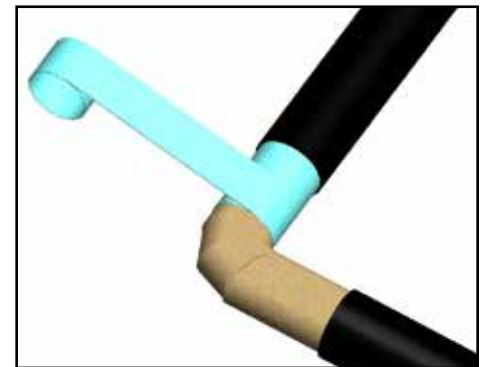
3. Make 90° elbow tube fitting connections. Tube fitting(s) provided by others.



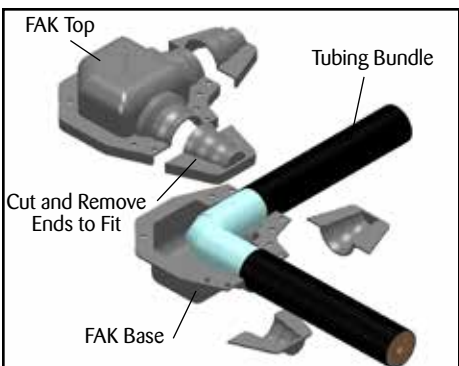
4. Wrap high temperature tubing with 1/2" fiberglass rope. Ensure 100% coverage.



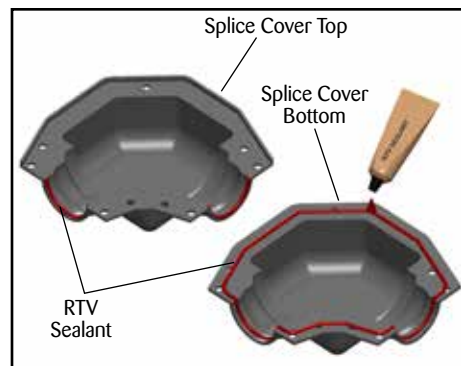
5. Wrap over fiberglass rope with 1 pass of reflective tape (25% overlap).



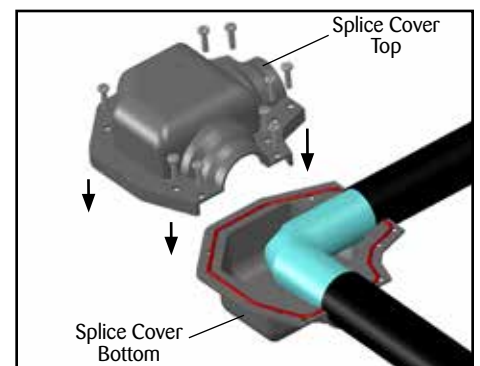
6. Wrap with 3 passes of glass fiber tape (50% overlap), or until fiber tape is equal to original bundle insulation thickness. Complete with an additional pass of heat reflective tape.



7. Cut top and bottom splice cover ends to match outside diameter of tubing bundle.



8. Form a gasket by applying RTV sealant to bottom half of splice cover and along radius of upper half.



9. Fit tubing bundle to bottom half of cover and install top half. Screw down firmly. Inspect ends of tubing splice cover for snug fit. Apply additional RTV sealant where needed.





THERMON . . . The Heat Tracing Specialists®

100 Thermon Dr. • PO Box 609 • San Marcos, TX 78667-0609

Phone: 512-396-5801 • Facsimile: 512-396-3627

1-800-820-HEAT • In Canada call **1-800-563-8461**

ISO 9001
REGISTERED

Specifications and information are subject to change without notice. Form PN50109-0715

For the Thermon office nearest you
visit us at . . .

www.thermon.com