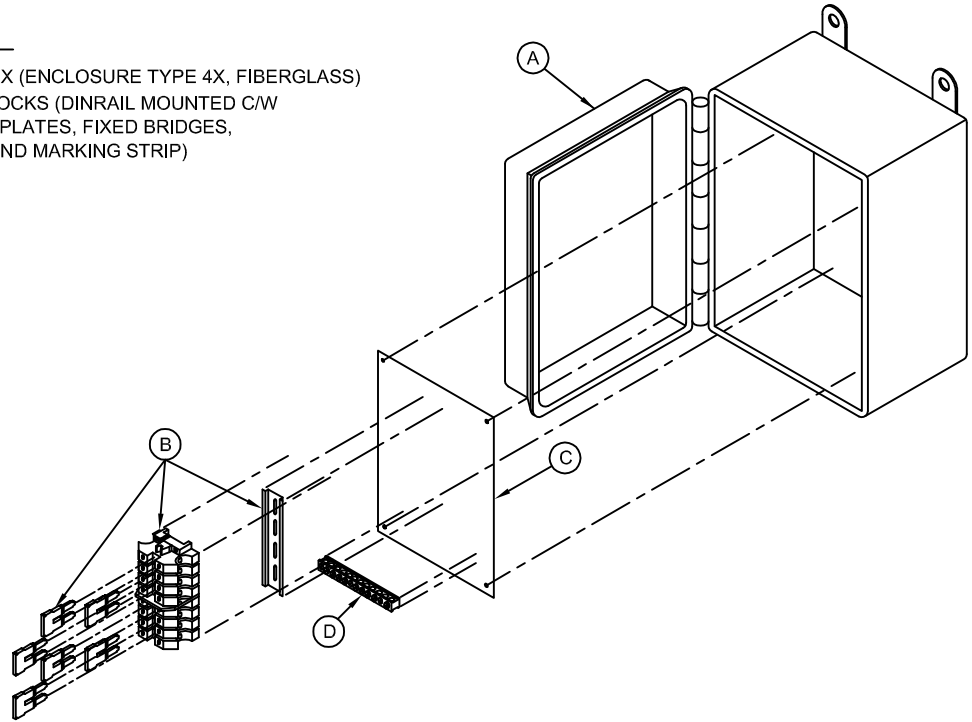


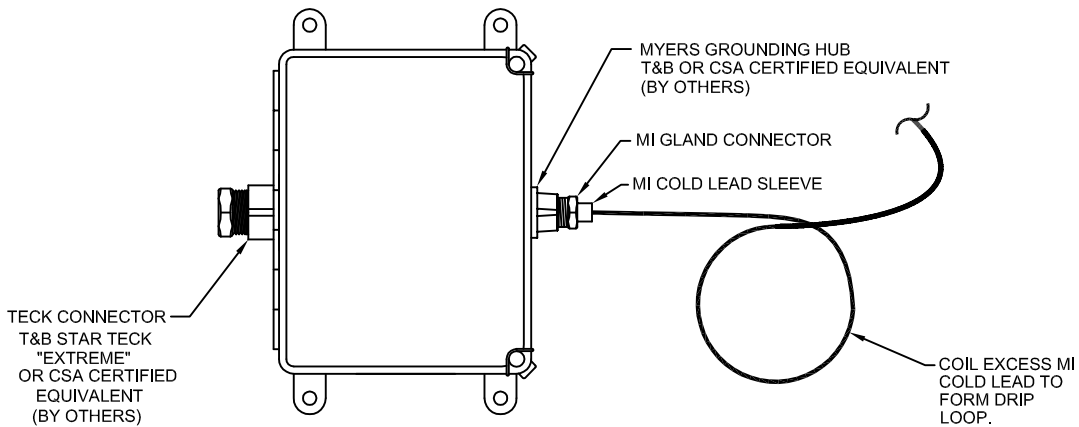
MIQ-PJBF8G-TB8DRMO-S JUNCTION BOX c/w 8 TERMINAL BLOCKS

Junction Box For Powering/Splicing
Thermon MI Heating Cable Sets, in Ordinary
and Hazardous Class I, Division 2 Locations.

ITEM	QTY.	MODEL	DESCRIPTION
A	1	JBFG-864	JUNCTION BOX (ENCLOSURE TYPE 4X, FIBERGLASS)
B	1	TBDR-8	TERMINAL BLOCKS (DINRAIL MOUNTED C/W SEPARATION PLATES, FIXED BRIDGES, END PLATE, AND MARKING STRIP)
C	1	BP	BACK PLATE
D	1	GB	GROUND BAR



1. Make power/splice terminations in approved manner using the terminal blocks provided. Refer to Thermon Dwg. JB-TB8-001 thru-006 and/or project installation drawings for wiring details.
2. Junction box to be mounted off the pipe. If mounting bracket on pipe insulation weather barrier use Thermon bracket Cat. No. MIQ-BR. If mounting brackets on pipe use Thermon brackets Cat. No. MIQ-JBS. (All brackets supplied separately).



NOTES:

1. Do not form any tight bends or kinks with MI cable. Minimum bending radius is 6X the cable outer diameter.
2. The integrity of the Enclosure Type 4X rating must not be compromised when installing fittings to the junction box.
3. Teck connectors and conduit hubs shown are not included.
4. Bonding of Myers hubs by others.
5. Heat shrink over any bare braid or ground wires (heat shrink by others).
6. This illustration is typical only. Other MI cold leads can be installed.
7. Suitability of final installation to be approved by local inspection authority.

Warning

To minimize the risk of electrical shock, arcing and fire caused by product damage or improper usage, installation or maintenance, install with a ground-fault protection device.

The National Electrical Code and Canadian Electrical Code require ground-fault protection of equipment for each branch circuit supplying electric heating equipment. Check local codes for ground fault protection requirements.

Other local or applicable codes may also apply.

Read and comply with installation instructions in their entirety.

CAUTION:

Bond the metal sheath of MI heating cable set to the circuit bonding conductor. The metal covering shall not be used as the bonding-to-ground means.



THERMON CANADA INC.