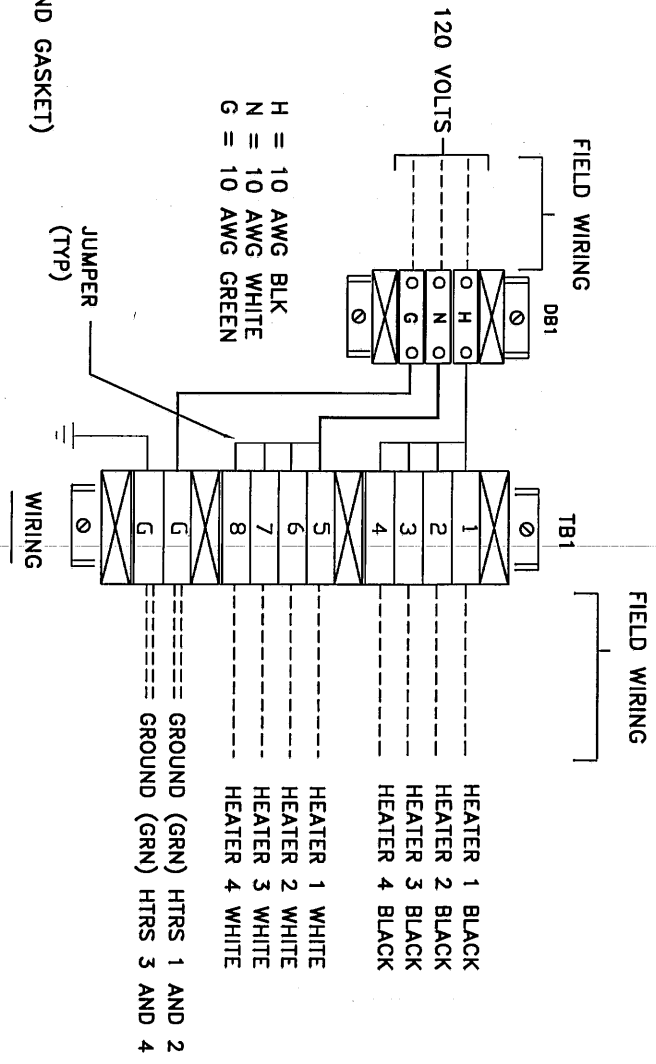


FRONT VIEW

SIDE VIEW



EXAMPLE - FOUR HEATERS

- NOTES:
1. ENCLOSURE FOR HEATER WIRING ONLY.
 2. AS SHOWN FOR USE WITH ONE TO FOUR RT/RTF FLEXIPANELS. INSTALL AS PER INSTRUCTIONS SUPPLIED WITH HEATER.
 3. ENCLOSURE IS NEMA 4X RATED HOFFMAN TYPE A-12106CHSCFCG.
 4. AS SHOWN FOR 120 V APPLICATION.

REV	DATE	DESCRIPTION OF REVISION	DRAWN	DESIGNED	REVIEWED	APPROVED	1 TO 4 HEATERS 120V PART # 26113	THERMON MANUFACTURING COMPANY THE HEAT TRACING SPECIALISTS	THERMON PROJECT NUMBER THERMON DWG. NO. H-26113-14	SHT. 1/1 REV. 1
0	11/13/00	INITIAL ISSUE	RJT	RJT	HH	AM				
1	1/9/02	ADDED T&B 5262	RJT	RJT	HH	AM				

DISK# H-26113.1