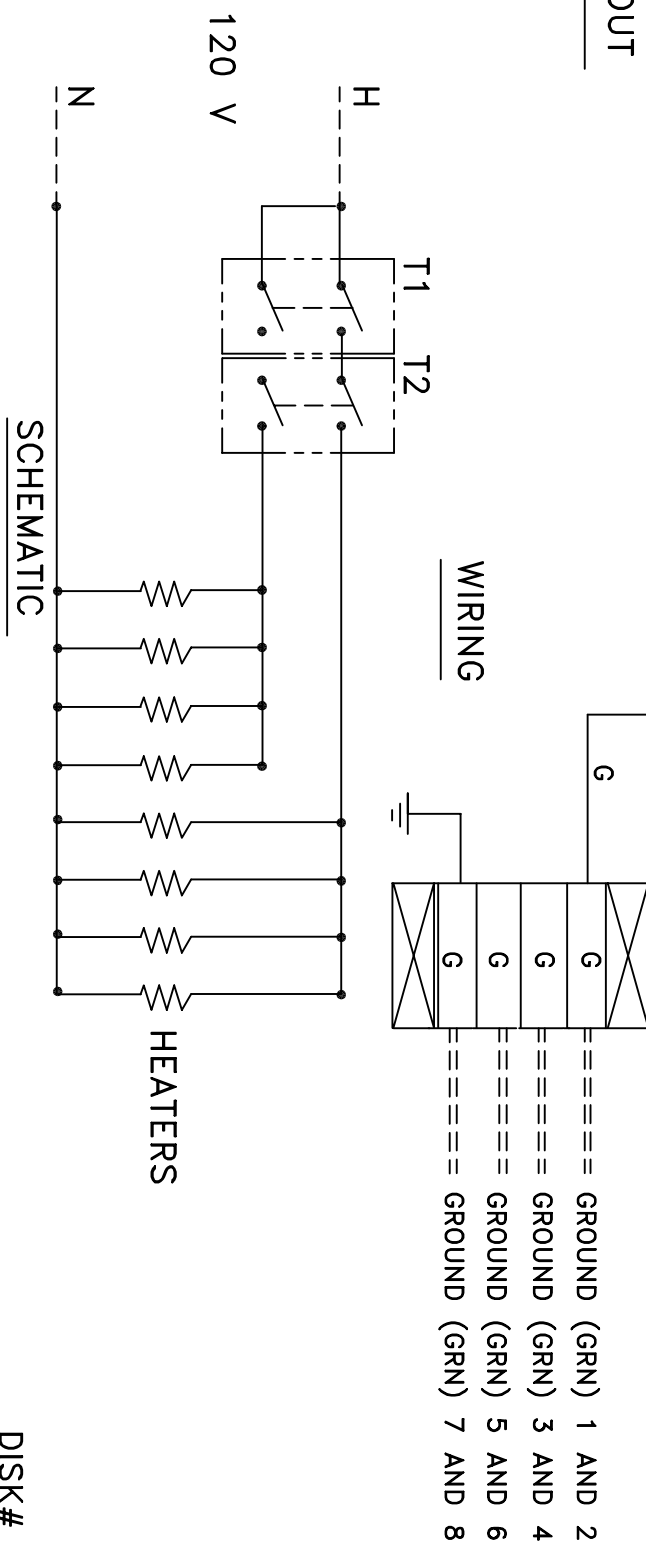


- NOTES:
1. AS SHOWN FOR NON CLASSIFIED AREAS ONLY. 120 V APPLICATIONS.
 2. AS SHOWN FOR USE WITH EIGHT (8) SO CORDSET FLEXIPANELS. INSTALL AS PER INSTRUCTIONS SUPPLIED WITH HEATER.
 3. FIELD INSTALL FITTINGS FOR HEATERS AS REQUIRED. 8 TOTAL.
 4. THERMOSTATS RATED 30 AMPS AT 120 VOLTS.
 5. ENCLOSURE IS NEMA 4X RATED HOFFMAN A-16148CHSCFG.
 6. LOCATE OVERLIMIT BULB PER THE FOLLOWING DWGS:
54A109S1 FOR HORIZONTAL TANK ARRANGEMENT.
54A108S1 FOR VERTICAL TANK ARRANGEMENT.



REV	DATE	DESCRIPTION OF REVISION	DRAWN	DESIGNED	REVIEWED	APPROVED	CONTROL SYSTEM JB-2-2-235-8-SO 120 VOLT, 8 HTRS PART# 26121	THERMON MANUFACTURING COMPANY THE HEAT TRACING SPECIALISTS	THERMON PROJECT NUMBER THERMON DWG. NO. H-26121-18	SHT. . REV. 1
1	7/19/00	ENCLOSURE WAS CARLON CJ16147.	RJT	RJT	HH	AM				
0	1/22/98	INITIAL ISSUE	RJT	RJT	LB	AM				