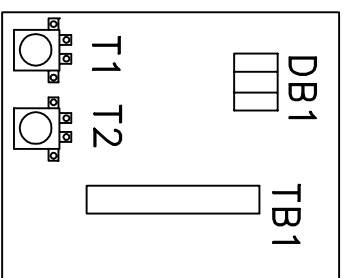


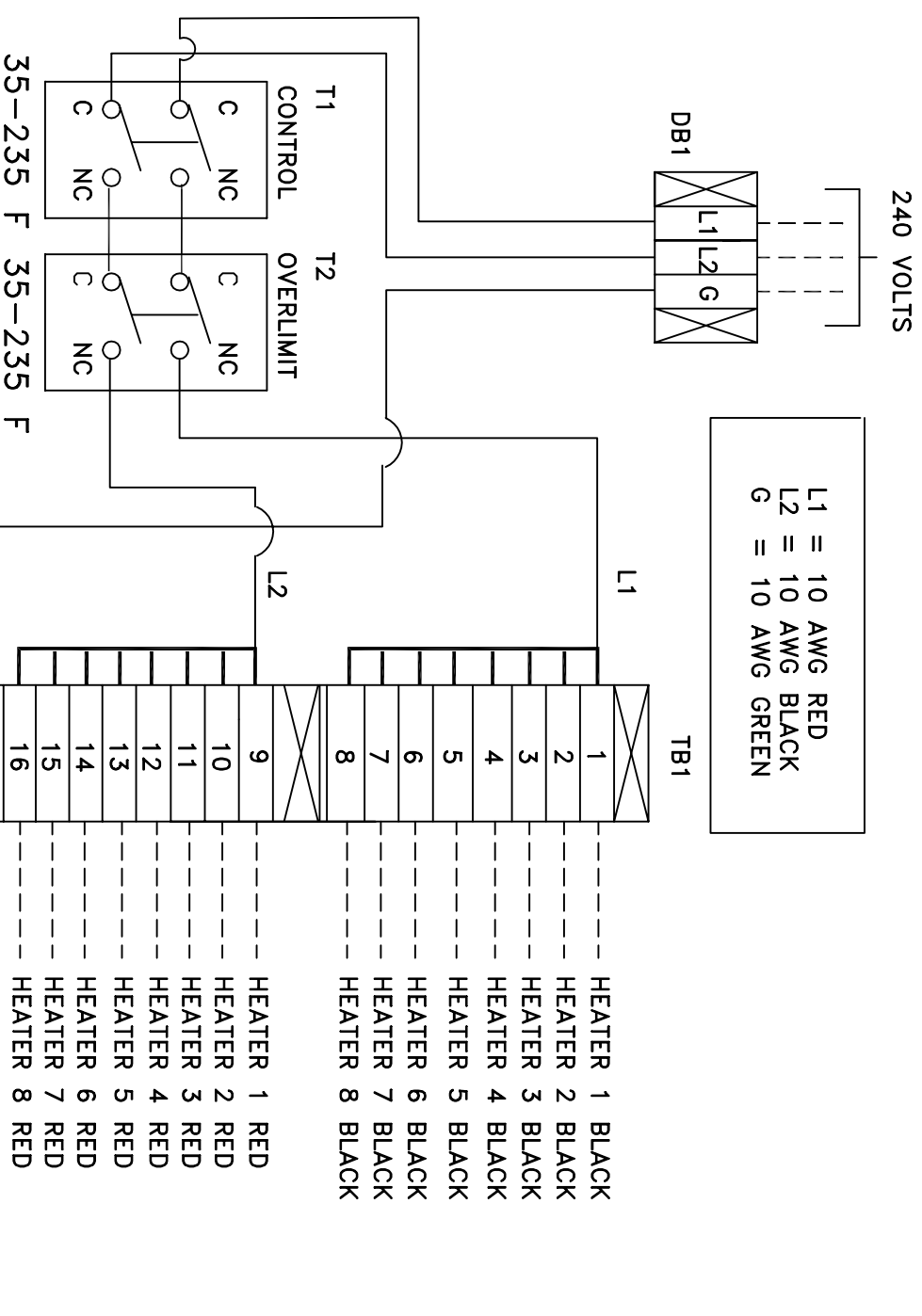
FRONT VIEW

SIDE VIEW

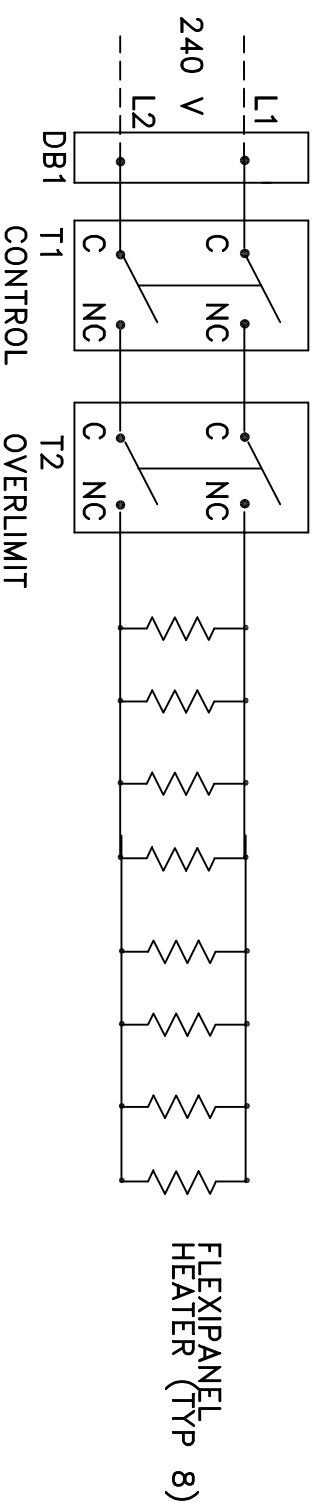
PAN LAYOUT



- NOTES:
1. AS SHOWN FOR NON CLASSIFIED AREAS ONLY. 240 V APPLICATIONS.
  2. AS SHOWN FOR USE WITH UP TO EIGHT (8) SO CORDSET FLEXIPANELS.
  3. FIELD INSTALL FITTINGS FOR HEATERS AS REQUIRED. 8 HEATERS MAXIMUM.
  4. THERMOSTATS RATED 30 AMPS AT 250 VAC.
  5. ENCLOSURE IS NEMA 4X RATED HOFFMAN MODEL A-16148CHSCFG.
  6. LOCATE OVERLIMIT BULB PER DWG 54A109S1 (HORIZONTAL TANK) OR DWG 54A108S1 (VERTICAL TANK)



WIRING



TYPICAL SCHEMATIC - 8 HEATERS

DISK# 26121.2

REV	DATE	DESCRIPTION OF REVISION	DRAWN	DESIGNED	REVIEWED	APPROVED
1	7/19/00	ENCLOSURE WAS CARLON CJ16147.	RJT	RJT	HH	AM
0	1/22/98	INITIAL ISSUE	RJT	RJT	LB	AM

CONTROL SYSTEM  
 JB-2-2-235-8-SO  
 240 VOLT, 8 HTRS  
 PART# 26121

THIS DRAWING IS THE PROPERTY OF THERMON MANUFACTURING COMPANY. IS CONFIDENTIAL AND MUST NOT BE MADE PUBLIC OR COPIED AND IS SUBJECT TO RETURN ON DEMAND. ALL RIGHTS OF DESIGN OR INVENTION ARE RESERVED.

ISO 9001 CERTIFIED COMPANY

THERMON PROJECT NUMBER

THERMON MANUFACTURING COMPANY  
 THE HEAT TRACING SPECIALISTS

THERMON DWG. NO. 26121-28  
 SHT. 1/11 REV. 1