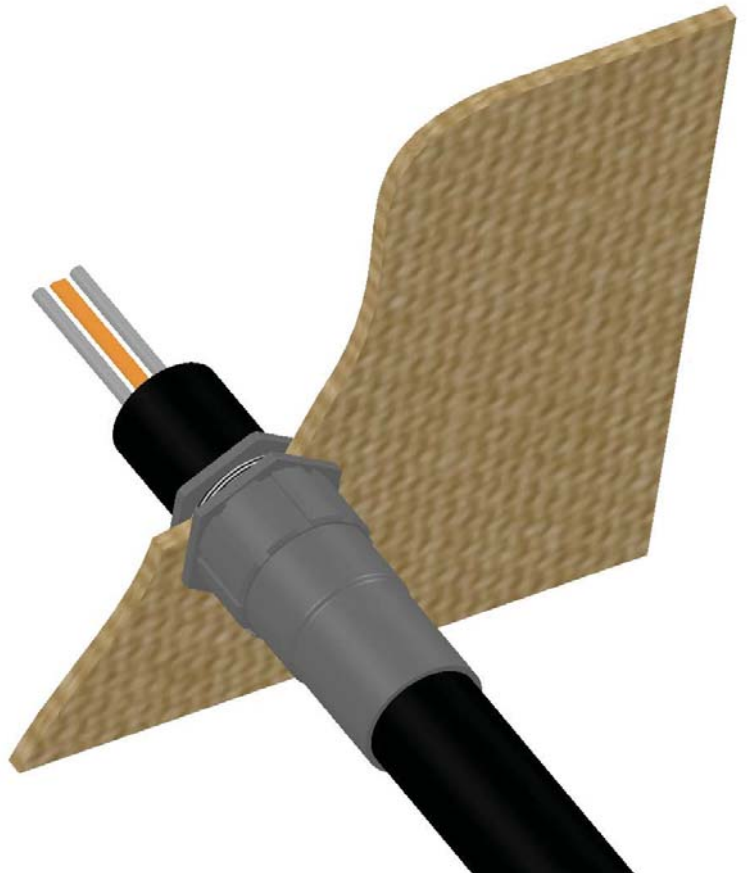


FAK-9: Bulkhead Entry Heat Shrink for Tubing Bundles

INSTALLATION PROCEDURES

To be used in conjunction with
FAK-9S, FAK-9, FAK-9L and FAK-9LX Kits.



The Heat Tracing Specialists®

FAK-9: Bulkhead Entry Heat Shrink for Tubing Bundles

The following installation procedures are guidelines for the installation of **FAK-9**, **FAK-9S**, **FAK-9L**, and **FAK-9XL** Bulkhead Entry Heat Shrink kits. **See Sizing Chart below.**

The FAK-9: Bulkhead Entry Heat Shrink is designed to make one bulkhead entry into an enclosure or shelter. See separate instructions for details on terminating heat tracing.

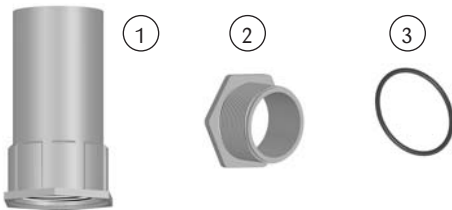
Receiving, Storing and Handling . . .

1. Upon receiving, check to make sure the proper type has been received.
2. Inspect for any damage incurred during shipping.
3. Report all damages to the carrier for settlement.
4. Identify parts against the packing list to ensure the proper type and quantity has been received.
5. Store in a dry location.

Installation Precautions . . .

- Keep ends of tube bundles, heat tracing and kit components dry before and during installation.
- For SE/ME electrically heated tubing de-energize all power sources before addressing circuit termination and power connection.
- Component approvals and performance ratings are based on the use of Thermon specified parts only. User supplied power connection fittings must be listed or certified for intended use.
- To minimize any risk of arcing in TubeTrace SE/ME bundles, The National Electrical Code (NEC) and Canadian Electrical Code (CEC) require ground-fault protection of equipment for each branch circuit supplying electric heat tracing.
- Installation must comply with Thermon requirements and be installed in accordance with all applicable national and local codes.
- Individuals installing these products are responsible for complying with all applicable safety and health guidelines. Proper Personal Protective Equipment (PPE) should be utilized during installation. For additional information, contact Thermon.

FAK-9: Bulkhead Entry Heat Shrink . . .



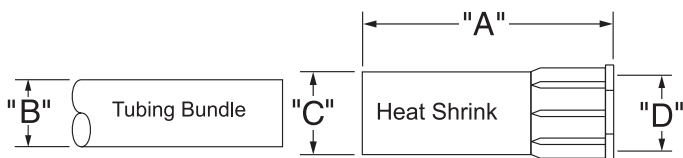
FAK-9: Bulkhead Entry Heat Shrink Contents. . .

Item	Quantity	Description
1	1	FAK-9 Bulkhead Entry Heat Shrink Flange Assembly
2	1	FAK-9 Bulkhead Entry Heat Shrink Flange Nut
3	1	FAK-9 Bulkhead Entry Heat Shrink Flange Nut O-Ring

Tools Required . . .



FAK-9: Sizing and Selection Chart. . .

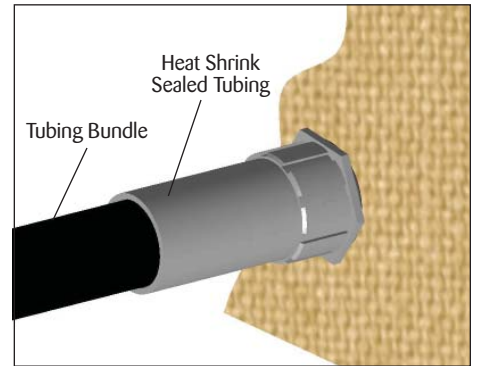
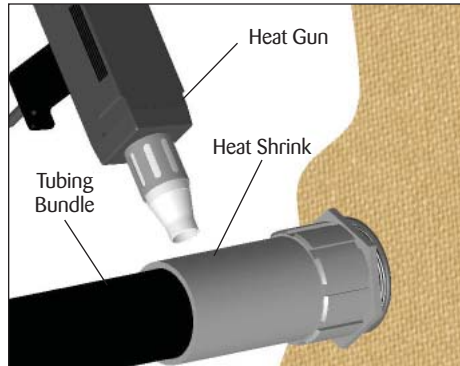
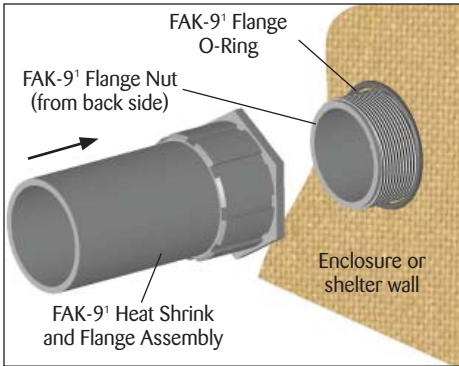


Catalog No.	"A" Overall Nom. Length in. (mm)	"B" TubeTrace Max. O.D. in. (mm)	"C" I.D. After Shrinkage in. (mm)	"D" Hole Size in. (mm)
FAK-9S	4.00 (101.6)	1.60 (40.6)	0.75 (19.0)	2 (51.0)
FAK-9	4.75 (120.7)	2.10 (53.3)	0.75 (19.0)	2.5 (64.0)
FAK-9L	7.00 (177.8)	2.90 (73.4)	1.43 (36.3)	3.5 (89.0)
FAK-9LX	11.50 (292.1)	3.75 (95.0)	1.50 (38.1)	4.5 (115.0)



The Heat Tracing Specialists®

INSTALLATION PROCEDURES

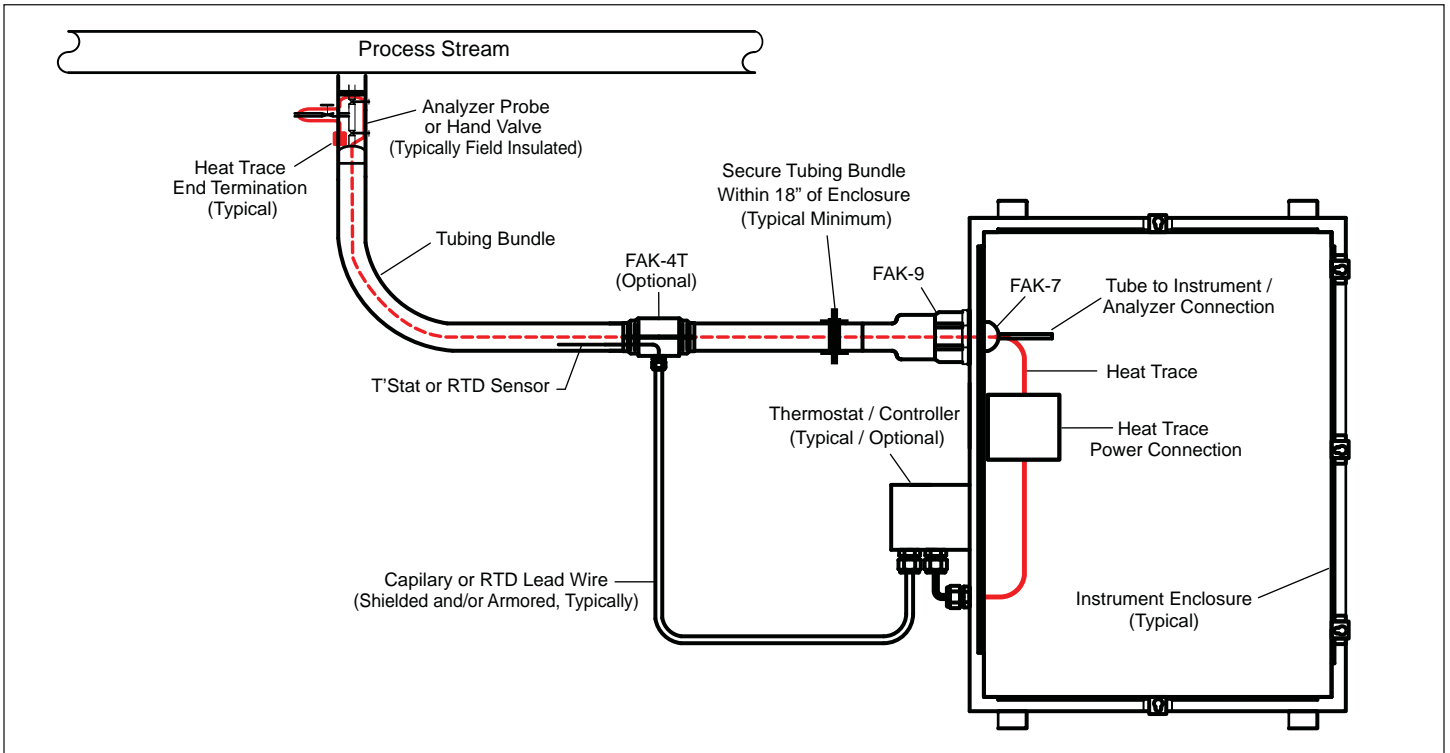


1. Insert Flange Nut into bulkhead hole and engage Flange Assembly as shown. Tighten firmly by hand. If further tightening is desired, use suitable spanner wrench ensuring not to over-tighten as Flange Nut can be broken.
2. It is recommended that the tubing, heat trace (where included) and other connections be made before completing this step. Heat until heat shrink seal is conformed and sealed to the tube bundle outer jacket and tubing.
3. Completed FAK-9 installation.

Note . . .

1) Typical - To be used in conjunction with FAK-9, FAK-9S, FAK-9L, and FAK-9XL kits.

Typical TubeTrace Installation Overview with Thermon Electric Heat Trace and FAK-9 Bulkhead Entry Heat Shrink . . .





ISO 9001
REGISTERED

THERMON . . . The Heat Tracing Specialists®

100 Thermon Dr. • PO Box 609 • San Marcos, TX 78667-0609

Phone: 512-396-5801 • Facsimile: 512-396-3627 • **1-800-820-HEAT**

www.thermon.com

In Canada call **1-800-563-8461**

Specifications and information are subject to change without notice. Form 50037-0612

For the Thermon office nearest you
visit us at . . .

www.thermon.com