

Terminator DP/FAK-5 and FAK-5L for T-Splice of Electrically Heated TubeTrace® Bundles INSTALLATION PROCEDURES



The Heat Tracing Specialists®

Terminator DP/FAK-5 and FAK-5L

The following installation procedures are suggested guidelines for the installation of the Terminator DP/FAK-5 and FAK-5L: T-Splice kit.

Receiving, Storing and Handling . . .

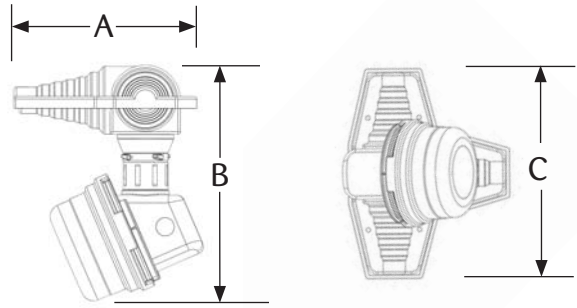
1. Inspect materials for damage incurred during shipping.
2. Report damages to the carrier for settlement.
3. Identify parts against the packing list to ensure the proper type and quantity has been received.
4. Store in dry location.

Terminator DP/FAK-5 Kit Contents . . .



Item	Quantity	Description
1	1	Expediter Assembly: Flat Mount Base, Grommet, Threaded Grommet Compressor, and Support Cap with O-Ring
2	1	Junction Box Lid
3	1	Junction Box Base with O-Ring
4	1	Nut
5	5	Terminal Block (Typical)
6	1	Junction Box Cord
7	1	Splice Cover (Top)
8	1	Splice Cover (Base)
9	14	Pan Head S.S. Screws, #10-32 x 3/4"
10	14	KEPT S.S. Nuts, #10-32
11	3	M5 Screw
12	3	M5 Lock Washer
13	1	Heat Reflective Tape
14	1	Glass Fiber Tape
15	3	RTV Sealant Tube

Dimensions . . .



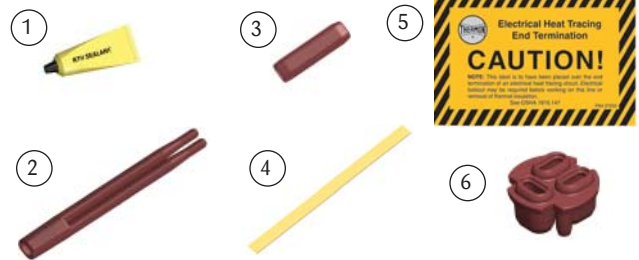
	A inch (mm)	B inch (mm)	C inch (mm)
Terminator DP /FAK-5	8-3/4" (222 mm)	11-3/4" (299 mm)	11-5/8" (295 mm)
Terminator DP /FAK-5L	10-1/2" (267 mm)	11-3/4" (299 mm)	15-5/8" (397 mm)

Required: Order Separately for each heater to be fabricated. PETK Power and End Termination Kits (one req'd. per heater)

PETK-1D for BSX, RSX, VSX

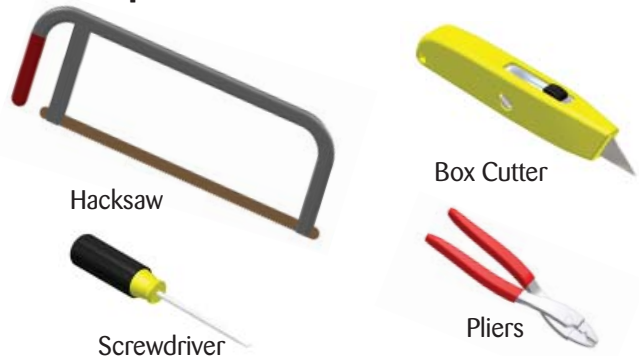
PETK-2D for KSX, HTSX

PETK-3D for FP, HPT



Item	Quantity	Description
1	1	RTV Sealant Tube
2	1	TBX Power Connection Boots
3	1	ET End Cap
4	1	Tape Strip Teflon 6" (PETK-3D only)
5	1	End Termination Caution Label
6	1	GRW-G Grommet (PETK-3D only)

Tools Required . . .



The Heat Tracing Specialists®

INSTALLATION PROCEDURES

The Terminator DP/FAK-5 and FAK-5L T-Splice Kit is designed to make a waterproof seal over the end of TubeTrace at the t-splice connection. Review instructions prior to installation. Kit will make one splice connection (Tube fittings not included). See separate instructions for details on splicing heat tracing.

Terminator DP Certifications/Approvals . . .

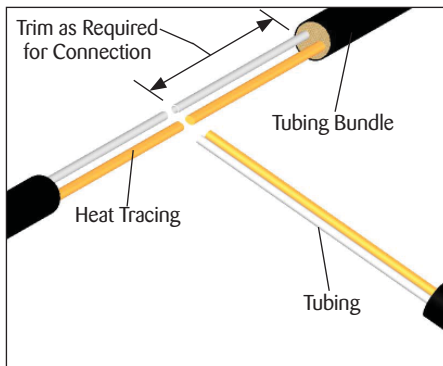


IP66 NEMA/Type 4X $-60^{\circ}\text{C} \leq T_a \leq +55^{\circ}\text{C}$
 Ordinary & Hazardous Locations
 Class I, Division 2, Groups A, B, C, & D, Zone 2 IIC
 Class II, Division 2, Groups F & G,
 Class III Listed Heat Tracing System 137M



Installation Precautions . . .

- To minimize the potential for arcing and ground-fault protection. The National Electrical Code (NEC) and Canadian Electrical Code (CEC) require ground-fault protection of equipment for each branch circuit supplying electric heat tracing.
- Installation must comply with Thermon requirements and be installed in accordance with the NEC, CEC, or any other applicable national and local codes.
- Component approvals and performance ratings are based on the use of Thermon specified parts only. User supplied power connection fittings must be listed or certified for intended use.
- De-energize all power sources before opening enclosure.
- Keep ends of heating cable and kit components dry before and during installation.
- Individuals installing these products are responsible for complying with all applicable safety and health guidelines. Proper personal protective equipment, or PPE, should be utilized during installation. Contact Thermon if you have any additional questions.

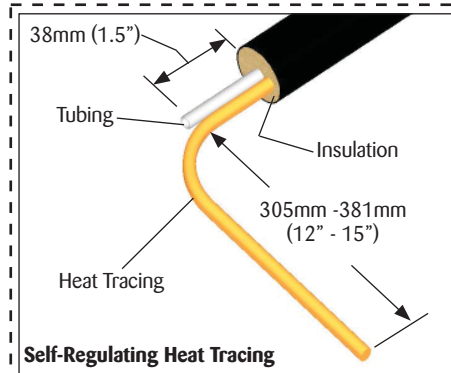


1. Remove outer jacket and insulation from tubing bundle to the required length for making connections.

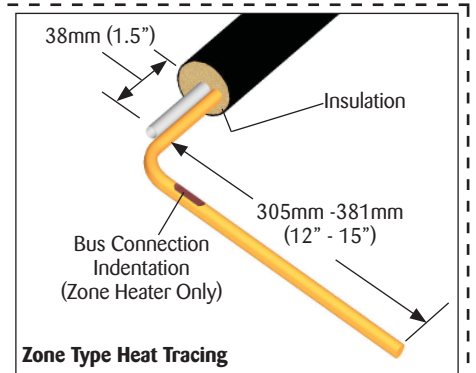


Do not cut or damage the heat trace or sampling tube.

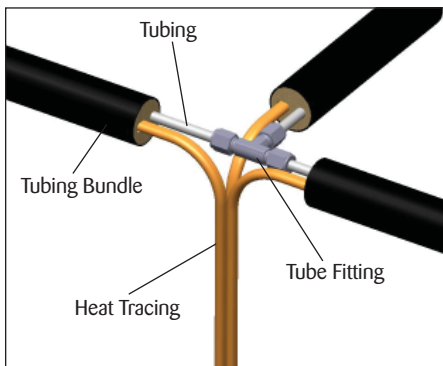
CAUTION (Found on TubeTrace SE/ME bundles)



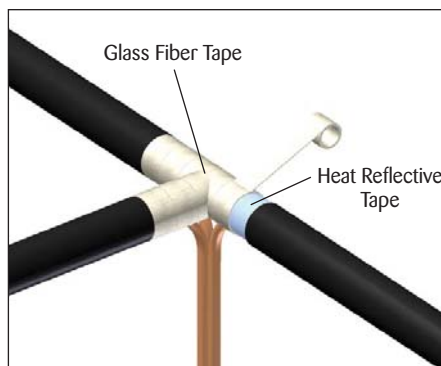
2. Trim heat tracing to within 305mm-381mm (12"-15") of the end of the insulation. If self-regulating heat trace proceed to step 3. For Zone type heat trace continue with identification of bus connection on step 2a.



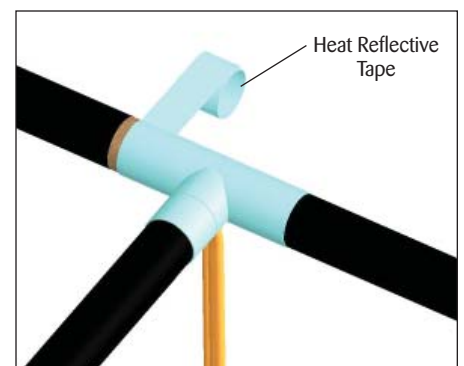
- 2a. Strip back bundle jacket and insulation 38mm (1-1/2") to 76mm (3") beyond bus connection indentation of each heat tracing. If bus connection indentation is less than 305mm-381mm (12"-15") from end of the heat tracing, proceed stripping the bundle jacket and insulation to the next indentation.



3. Make tube connections with appropriate fittings (provided by others). Test fittings for leaks before proceeding.

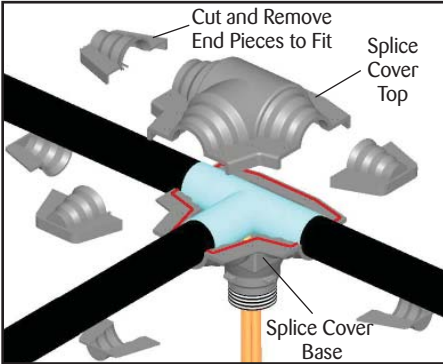


4. Wrap tube and heat trace with 1 pass of reflective tape (25% overlap), then wrap with 3 passes of glass fiber tape (50% overlap), or until fiber tape is equal to original bundle insulation thickness.

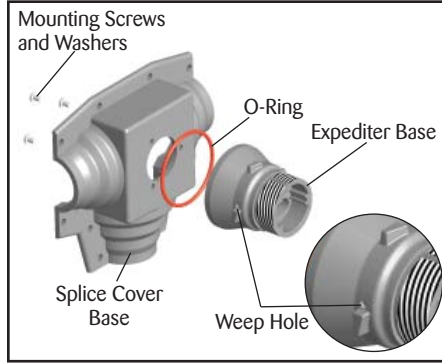


5. Complete with additional passes of heat reflective tape.

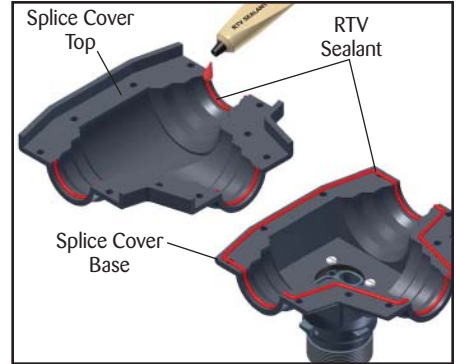
Terminator DP/FAK-5 and FAK-5L



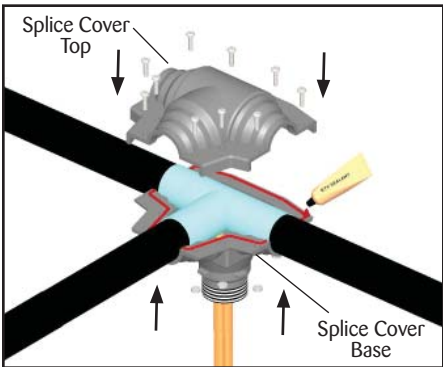
6. Cut splice cover top and base to match outside diameter of tubing bundle and remove end pieces.



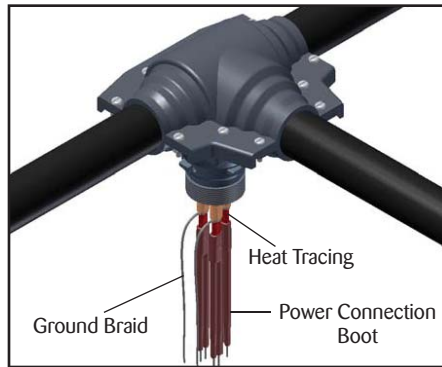
7. Mount Expediter Base with O-Ring to splice cover base using (3) mounting screws and lock washers. Punch out weep hole.



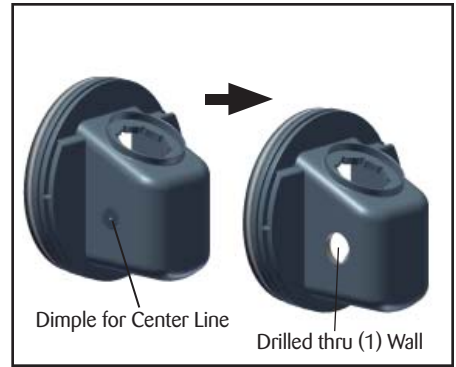
8. Form a gasket by applying RTV sealant to splice cover base and along radius of splice cover top as shown.



9. Assemble splice cover top, tubing bundle, and splice cover base together as shown using 10-32 x 3/4" pan head screws and KEPT nuts.



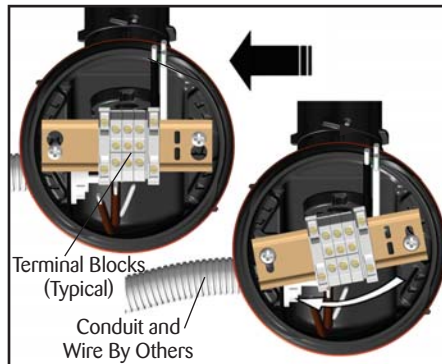
10. Terminate heat tracing with appropriate PETK termination kit. Refer to PETK installation instructions for details (not addressed here).



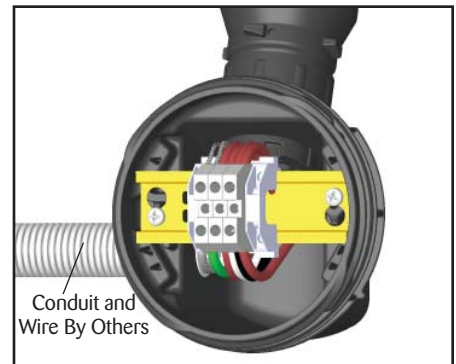
11. For power connection applications: Use dimple molded into side of junction box base to locate center hole, drill for user supplied power connection fitting per manufacture's recommendations.



12. Mount junction box on expeditor making sure to align slots to properly orient junction box base.



13. Install quick mount terminal blocks twist to position and tighten screws.

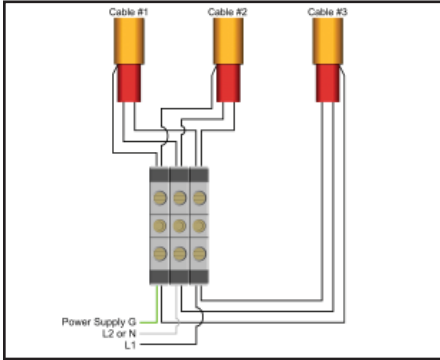


14. Complete system wiring between fabricated heat tracing and power supply wiring. See wiring diagrams on Page 5.

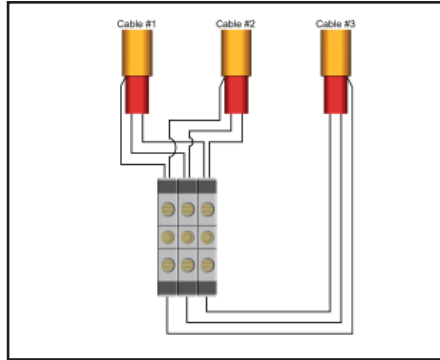


The Heat Tracing Specialists®

INSTALLATION PROCEDURES



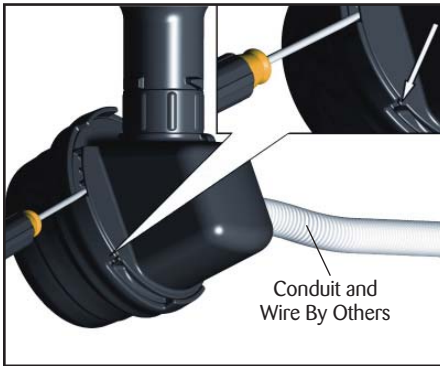
Power Connection (1 to 3 Cables). For 3 cable power connections, additional terminal blocks will be required when using 10mm² (#8 AWG) power supply wiring.



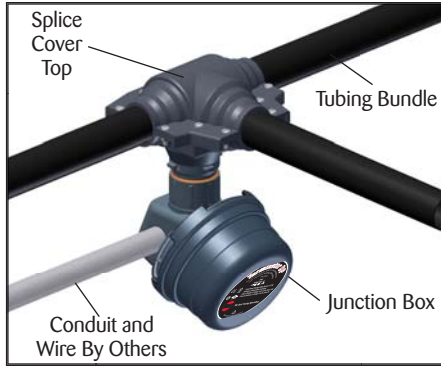
In-Line Splice and T-Splice



15. Install junction box lid and twist hand tight. Insert screwdriver into ratchet slot located on side of junction box base to tighten. Lid will rotate 30°.



16. Lid latch mechanism fully engaged. To remove lid, repeat steps 15 and 16 but in opposite direction.



17. Completed Terminator DP/FAK-5 for T-Splice of Electrically Heated TubeTrace Bundles. (Installation shown is to feed power in kit junction box. Many installations will be for splice only, without power feed to the electrical heat tracing circuits.)



THERMON . . . The Heat Tracing Specialists®

100 Thermon Dr. • PO Box 609 • San Marcos, TX 78667-0609

Phone: 512-396-5801 • Facsimile: 512-396-3627

1-800-820-HEAT • In Canada call **1-800-563-8461**

ISO 9001
REGISTERED

Specifications and information are subject to change without notice. Form PN50058-0612

For the Thermon office nearest you
visit us at . . .

www.thermon.com