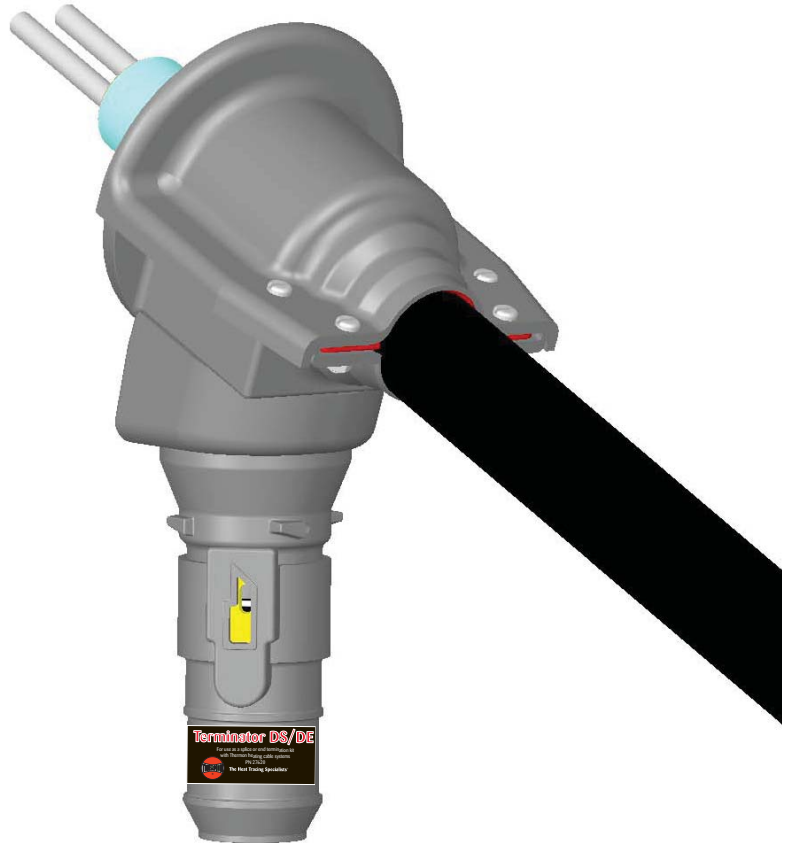


Terminator DS/DE FAK-1 Kit

for Bulkhead Entry of
Electrically Heated TubeTrace® Bundles

INSTALLATION PROCEDURES



The Heat Tracing Specialists®

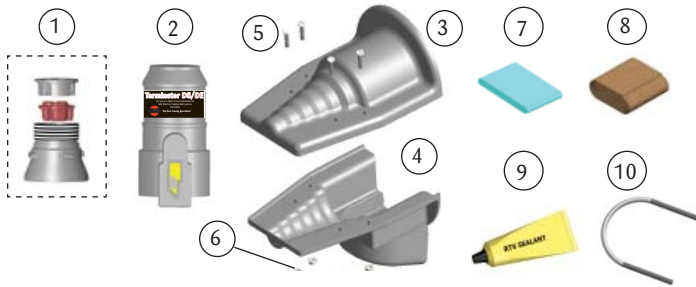
Terminator DS/DE FAK-1

INSTALLATION PROCEDURES

Receiving, Storing and Handling . . .

1. Inspect materials for damage incurred during shipping.
2. Report damages to the carrier for settlement.
3. Identify parts against the packing list to ensure the proper type and quantity has been received.
4. Store in a dry location.

Terminator DS/DE FAK-1 Kit Contents . . .

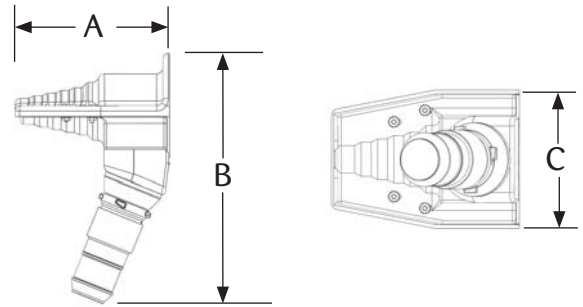


Item	Qty.	Description
1	1	Expediter Assembly: Flat Mount Base, Grommet, Grommet Compressor
2	1	Splice Cap
3	1	FAK-1 Top
4	1	FAK-1 Base
5	5	Pan Head S.S. Screws, #10-32 x .75
6	1	KEPT S.S. Nuts, #10-32
7	1	Heat Reflective Tape, 1.75" Wide
8	1	Glass Fiber Tape, 2" Wide
9	4	RTV Sealant Tube
10	4	U-Bolt .25 X 3.5

Installation Precautions . . .

- To minimize the potential for arcing and ground-fault protection. The National Electrical Code (NEC) and Canadian Electrical Code (CEC) require ground-fault protection of equipment for each branch circuit supplying electric heat tracing.
- Installation must comply with Thermon requirements and be installed in accordance with the NEC, CEC, or any other applicable national and local codes.
- Component approvals and performance ratings are based on the use of Thermon specified parts only. User supplied power connection fittings must be listed or certified for intended use.
- De-energize all power sources before opening enclosure.
- Keep ends of heating cable and kit components dry before and during installation.
- Individuals installing these products are responsible for complying with all applicable safety and health guidelines. Proper personal protective equipment, or PPE, should be utilized during installation. Contact Thermon if you have any additional questions.

Dimensions . . .



	A inch (mm)	B inch (mm)	C inch (mm)
Terminator DS/DE FAK-1	7-1/4" (184 mm)	11-3/4" (298 mm)	5-1/4" (133 mm)

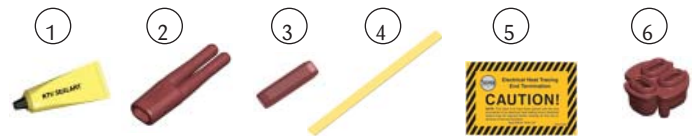
REQUIRED: Order separately for each heater to be fabricated.

PETK Power and End Termination Kits (per heater)

PETK-1D for BSX, RSX, VSX

PETK-2D for KSX, HTSX

PETK-3D for FP, HPT



Item	Qty.	Description
1	1	RTV Sealant Tube
2	1	TBX Power Connection Boot
3	1	ET End Cap
4	1	Tape Strip Teflon 6" (PETK-3 only)
5	1	End Termination Caution Label
6	1	GRW-G Grommet (PETK-3 only)

Tools Required . . .



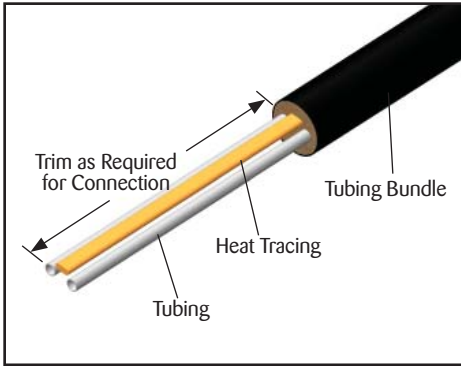
Terminator DS/DE Certifications/Approvals . . .



IP66 NEMA/Type 4X -60°C ≤ Ta ≤ +55°C
 Ordinary & Hazardous Locations
 Class I, Division 2, Groups A, B, C, & D, Zone 2 IIC
 Class II, Division 2, Groups F & G,
 Class III Listed Heat Tracing System 137M

Terminator DS/DE FAK-1

INSTALLATION PROCEDURES

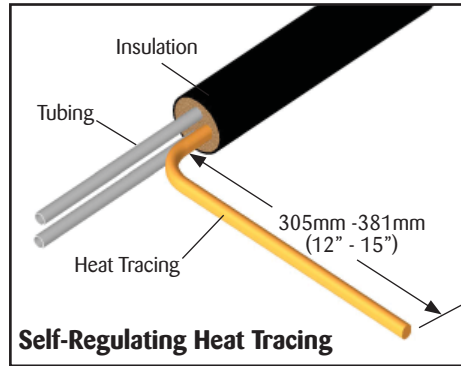


1. Remove outer jacket and insulation from tubing bundle as included from end of the tubing bundle. Ensure sufficient heat trace is available for electrical connection. See instructions included with heat trace PETK kit.



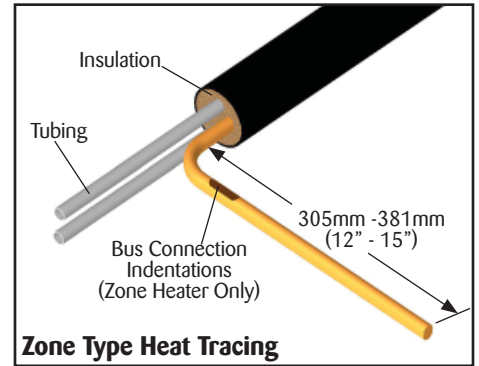
Do not cut or damage the heat trace or sampling tube.

CAUTION (Found on TubeTrace SE/ME bundles)



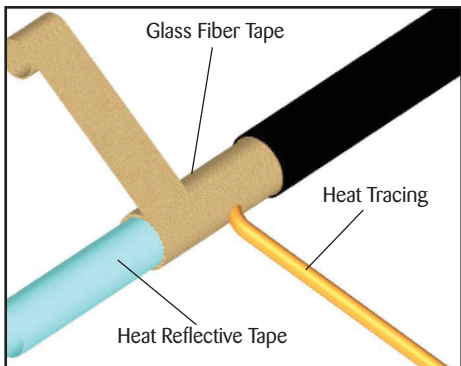
Self-Regulating Heat Tracing

2. Trim heat tracing to within 305mm - 381mm (12" - 15") of the end of the insulation. If self regulating heat trace proceed to step 3. For Zone-type heat trace continue with identification of bus connection on step 2a.

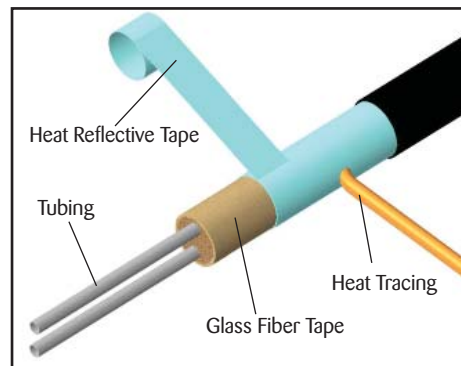


Zone Type Heat Tracing

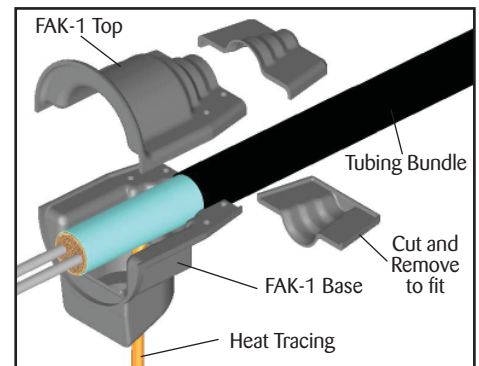
2a. Strip back bundle insulation 38mm (1 1/2") to 76mm(3") beyond bus connection heat tracing. If bus connection indentation is less than 305mm (12")-381mm (15") from end of the heat tracing, proceed stripping the bundle insulation to the next indentation.



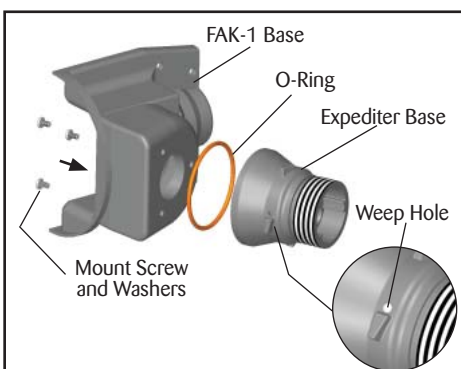
3. Wrap tube and heat trace with 1 pass of reflective tape (25% overlap), then wrap with 3 passes of glass fiber tape (50% overlap), or until fiber tape is equal to original bundle insulation thickness.



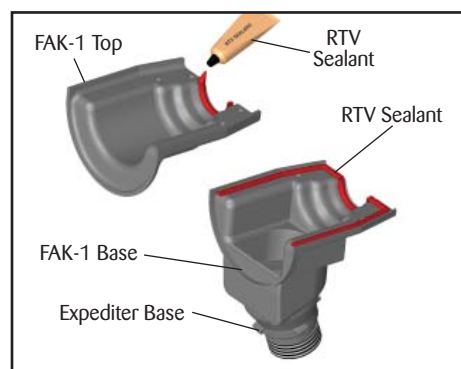
4. Complete with additional passes of heat reflective tape.



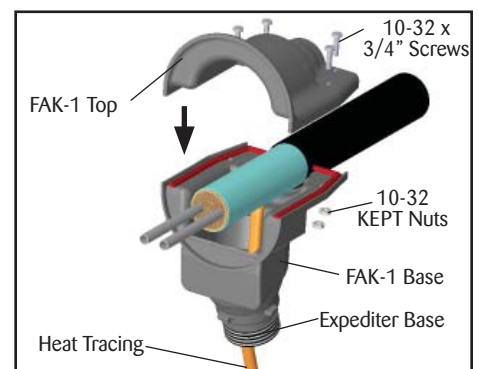
5. Cut FAK-1 top and FAK-1 base ends to match outside diameter of tubing bundle and remove end pieces.



6. Mount expediter base with o-ring to FAK-1 base cover using (3) M5 mounting screws and lock washers. Punch out weep hole.



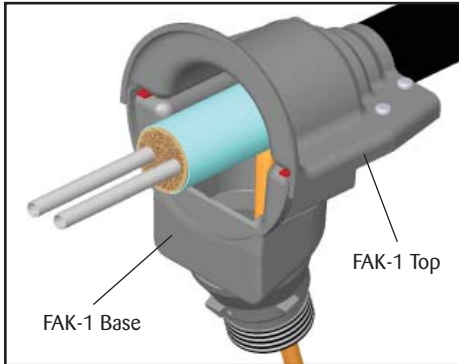
7. Form a gasket by applying RTV sealant to FAK-1 base and along radius of FAK-1 top as shown.



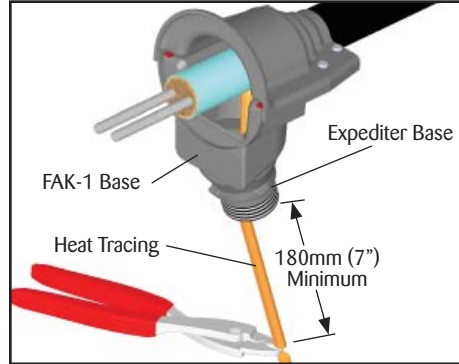
8. Assemble FAK-1 top, tubing bundle, and FAK-1 base together as shown using 10-32 x 3/4" pan head screws and KEPT nuts.

Terminator DS/DE FAK-1

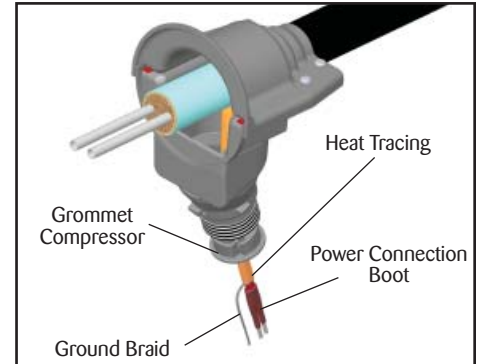
INSTALLATION PROCEDURES



9. Assembled DS/DE FAK-1 without splice cap.



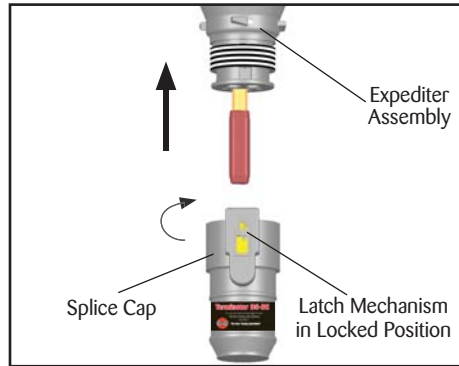
10. Trim heat tracing to 180mm (7") minimum from expediter base.



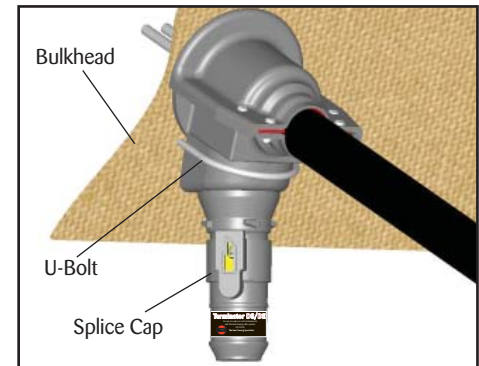
11. Terminate heat tracing with appropriate PETK termination kit. Refer to PETK installation instructions for details not addressed here.



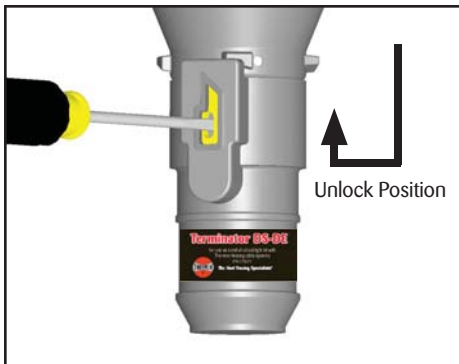
12. Completed heat tracing termination.
PETK kit for Power/End Terminations



13. Slide the splice cap over expediter assembly and engage threads. Rotate splice cap clockwise and tighten cap securely. Make sure latch mechanism is in the locked position.



14. Completed Terminator DS/DE FAK-1 with U-Bolt securely installed for bulkhead entry of Electrically Heated TubeTrace Bundles.



15. To remove cap, lift latch mechanism as shown and unscrew cap counter clockwise. De-energize all power sources before opening enclosure.



THERMON . . . The Heat Tracing Specialists®
 100 Thermon Dr. • PO Box 609 • San Marcos, TX 78667-0609
 Phone: 512-396-5801 • Facsimile: 512-396-3627
1-800-820-HEAT • In Canada call **1-800-563-8461**

ISO 9001
REGISTERED

Specifications and information are subject to change without notice. Form PN50060-0612

For the Thermon office nearest you
 visit us at . . .
www.thermon.com