

TracePlus™ VIL-6

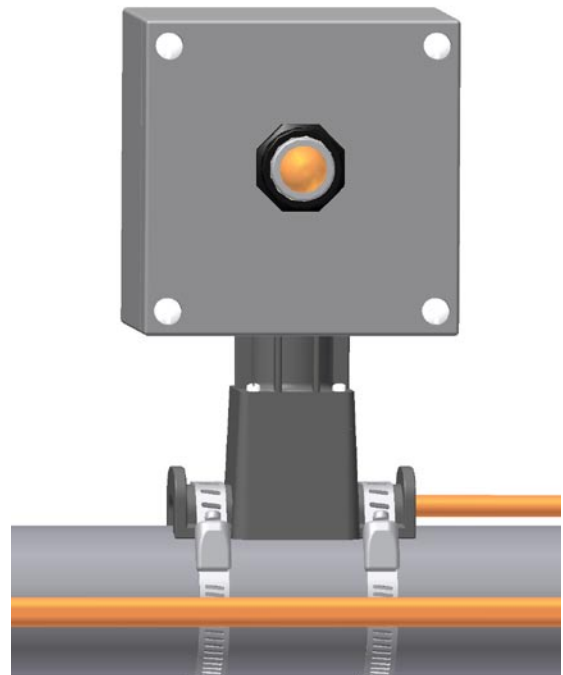
End of Circuit Light Kit

INSTALLATION PROCEDURES

VIL-6-H for BSX, HTSX, KSX, HPT, FP

VIL-6-V for RSX, TSX, VSX

For End Termination Applications



The Heat Tracing Specialists®

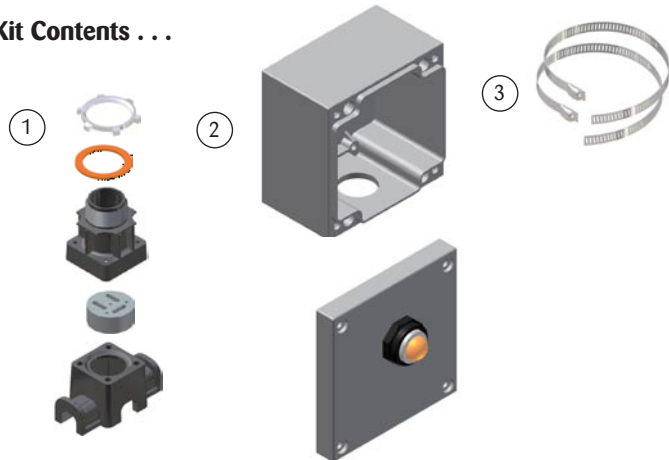
TracePlus™ VIL-6

The following installation procedures are suggested guidelines for the installation of termination connection systems. They are not intended to preclude the use of other methods and good engineering or field construction practices.

Receiving, Storing and Handling . . .

1. Inspect materials for damage incurred during shipping.
2. Report damages to the carrier for settlement.
3. Identify parts against the packing list to ensure the proper type and quantity has been received.

Kit Contents . . .



Item	Quantity	Description
1	1	Expediter Assembly Locknut Gasket 1" NPT Threaded Cap Grommet Expediter Base
2	1	Junction Box Base with Cover and Light
3	2	Banding

Order Separately . . .

PETK Power and End Termination Kits (per cable)

PETK-1D for BSX, RSX, TSX, VSX

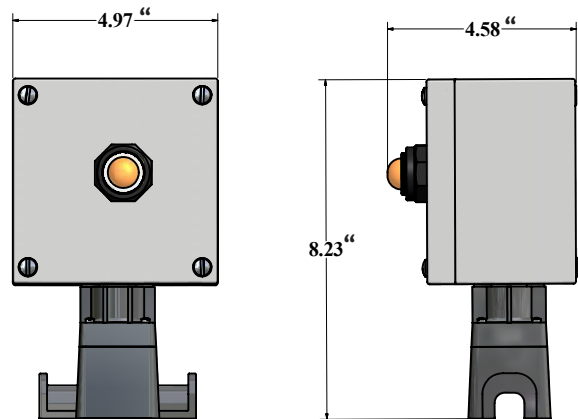
PETK-2D for KSX, HTSX

PETK-3D for HPT, FP



Item	Quantity	Description
1	1	RTV Tube
2	1	Power Connection Boot
3	1	End Cap
4	1	Tape Strip (PETK-3D Only)
5	1	End Termination Caution Label
6	1	GRW-G Grommet (PETK-3D Only) not used for TracePlus Kits

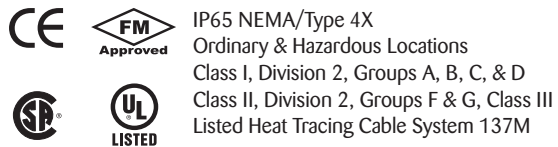
Dimensions . . .



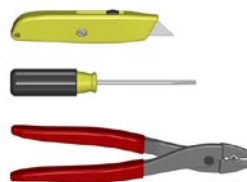
Installation Precautions . . .

- To minimize the potential for arcing and fire caused by product damage or improper installation use ground-fault protection. The National Electrical Code (NEC) and Canadian Electrical Code (CEC) require ground-fault protection of equipment for each branch circuit supplying electric heat tracing.
- Installation must comply with Thermon requirements and be installed in accordance with the NEC, CEC, or any other applicable national and local codes.
- Component approvals and performance ratings are based on the use of Thermon specified parts only. User supplied power connection fittings must be listed or certified for intended use.
- De-energize all power sources before opening enclosure.
- Keep ends of heating cable and kit components dry before and during installation.

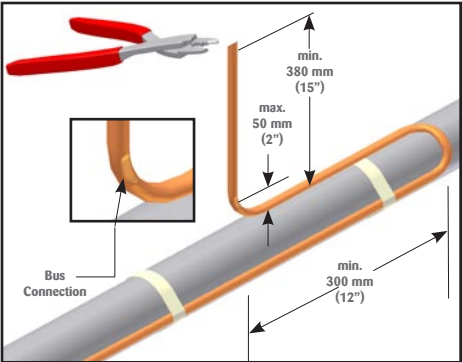
Certifications/Approvals . . .



Tools Required . . .



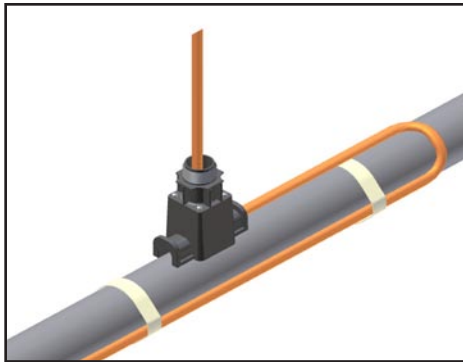
INSTALLATION PROCEDURES



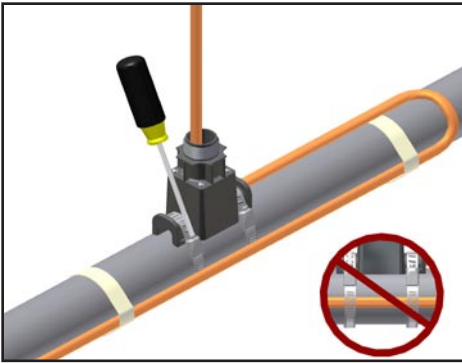
1. Locate bus connection (HPT and FP only) and cable as shown. Cut end of cable at angle to aid in piercing grommet. Leave additional cable for expansion loop.



2. Insert cable into expediter, grommet, and NPT threaded cap.



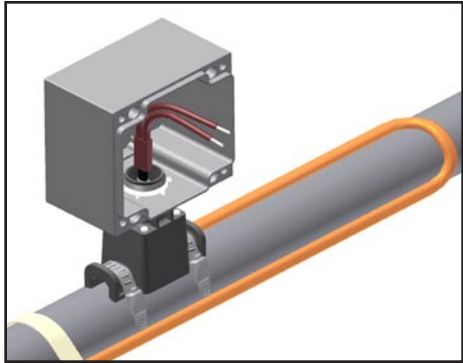
3. Slide expediter toward pipe and route cable through base, grommet, and NPT threaded cap.



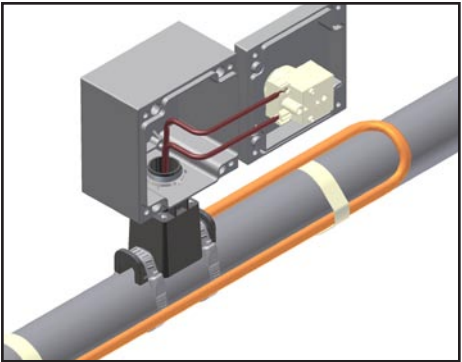
4. Mount expediter to pipe using pipe band. Do not band over cable.



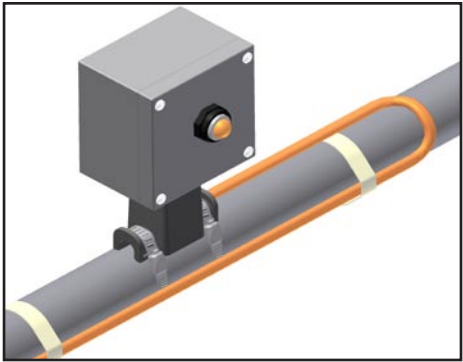
5. Terminate cable with appropriate PETK termination kit. Refer to PETK installation instructions. Trim away exposed braid from cable.



6. Mount junction box on expediter using gasket and locknut provided.

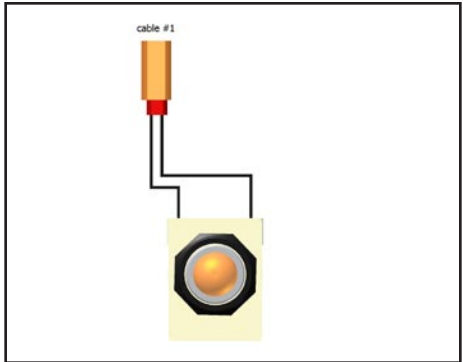


7. Complete system wiring by connecting cable leads to light.



8. Install junction box lid using 4 captive screws.

Wiring Details



End Termination (1 Cable Only)





ISO 9001
REGISTERED

THERMON . . . The Heat Tracing Specialists®

100 Thermon Dr. • PO Box 609 • San Marcos, TX 78667-0609
Phone: 512-396-5801 • Facsimile: 512-396-3627 • **1-800-820-HEAT**
www.thermon.com In Canada call **1-800-563-8461**

Specifications and information subject to change without notice.