

# Terminator™ ZP

## Power Connection Kit

### INSTALLATION PROCEDURES

For Power Connection, In-Line Splice Connection,  
T-Splice Connection, or End Termination Applications



**The Heat Tracing Specialists®**

# Terminator™ ZP

## INSTALLATION PROCEDURES

### Receiving, Storing and Handling . . .

1. Inspect materials for damage incurred during shipping.
2. Report damages to the carrier for settlement.
3. Identify parts against the packing list to ensure the proper type and quantity has been received.
4. Store in a dry location.

### Kit Contents . . .



Item	Quantity	Description
1	1	Expediter Assembly Support Cap with O-Ring Threaded Grommet Compressor Grommet Support Base with O-Ring
2	1	Junction Box Lid
3	1	Junction Box Base with O-Ring
4	1	Nut
5	1	Banding
6	1	Banding Guide
7	1	Terminal Blocks with DIN Rail (Refer to terminal specifications for maximum allowable wire size)
8	1	Junction Box Cord

### Order Separately . . .

#### PETK Power and End Termination Kits (per cable)

PETK-1 for BSX, RSX, VSX

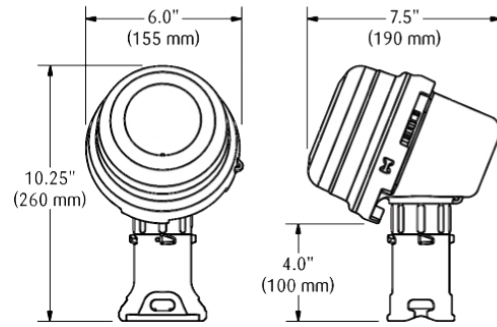
PETK-2 for KSX, HTSX

PETK-3 for HPT, FP



Item	Quantity	Description
1	1	RTV Tube
2	1	Power Connection Boot
3	1	End Cap
4	1	Tape Strip 6" (PETK-3 only)
5	1	End Termination Caution Label
6	1	GRW-G Grommet (PETK-3 only)
7	1	Ground Sleeve

### Dimensions . . .



### Installation Precautions . . .

- To minimize the potential for arcing and fire caused by product damage or improper installation use ground-fault protection. The National Electrical Code (NEC) and Canadian Electrical Code (CEC) require ground-fault protection of equipment for each branch circuit supplying electric heat tracing.
- Installation must comply with Thermon requirements and be installed in accordance with the NEC, CEC, or any other applicable national and local codes.
- Component approvals and performance ratings are based on the use of Thermon specified parts only. User supplied power connection fittings must be listed or certified for intended use.
- Avoid electrostatic charge. Clean only with a damp cloth.
- De-energize all power sources before opening enclosure.
- Keep ends of heating cable and kit components dry before and during installation.
- Individuals installing these products are responsible for complying with all applicable safety and health guidelines. Proper personal protective equipment, or PPE, should be utilized during installation. Contact Thermon if you have any additional questions.

### Tools Required . . .



### Certifications/Approvals . . .



IP66/Type 4X -60°C ≤ Ta ≤ +55°C  
Listed Heat Tracing Cable System 137M  
Ordinary & Hazardous Locations



Class I, Division 2, Groups A, B, C, & D  
Class II, Division 2, Groups F & G, Class III



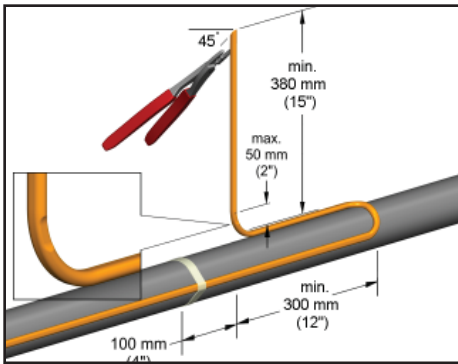
Class I, Zone 1, AEx eb IIC T4-T6  
09.2238691,-G,-S, Ex e IIC T4-T6



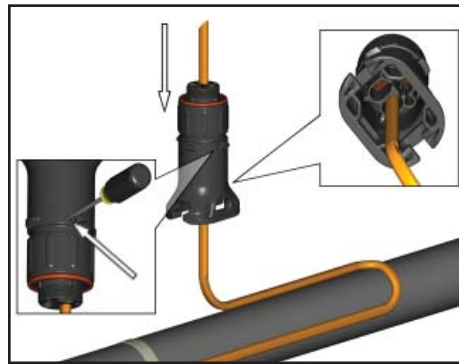
FMG 10.0022X Ex eb IIC T4-T6, Ex tb IIIC T135°C-T85°C



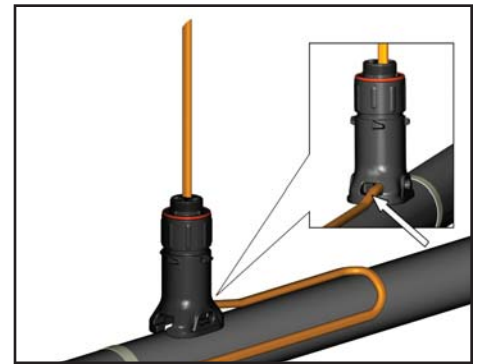
1725 Ex II 2 GD Ex eb IIC T4-T6, Ex tb IIIC T135°C-T85°C FM 10ATEX0058X



1. Locate bus connection (HPT and FP only) and cable as shown. Cut end of cable at angle to aid in piercing grommet. Leave additional cable for expansion loop. See page 5 for multiple cable installation tips.



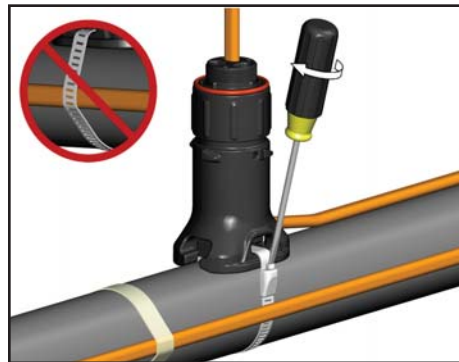
2. Insert cable into expediter. If mounted on bottom or side of pipe, punch out weep hole.  
Note: For HPT and FP cable, exchange grommet in Terminator with GRW-G provided in PETK-3.



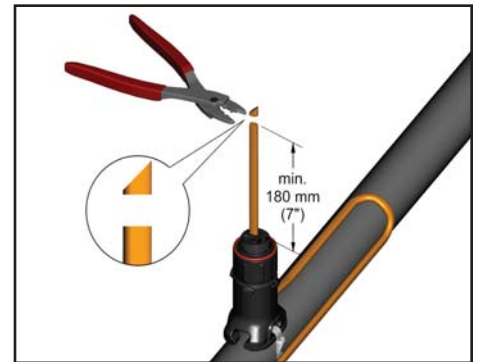
3. Slide expediter toward pipe and route cable through support base entry.



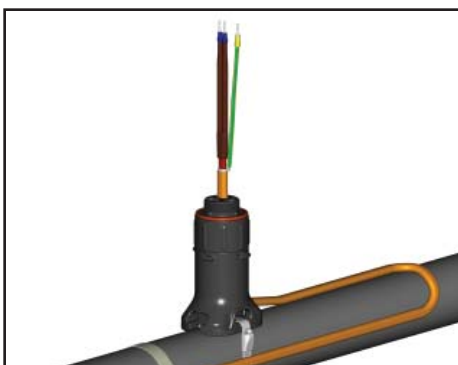
4. Insert banding guide into expediter and snap into place.



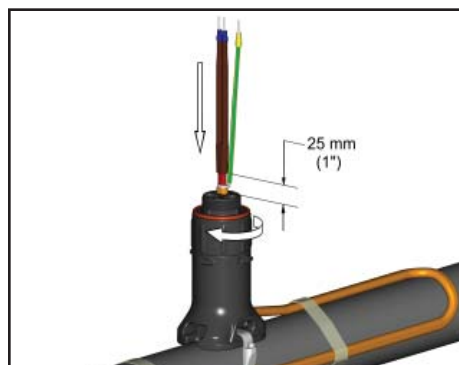
5. Mount expediter to pipe using pipe band. Do not band over cable.



6. Cut off end of cable.



7. Terminate cable with appropriate PETK termination kit. Refer to PETK installation instructions.

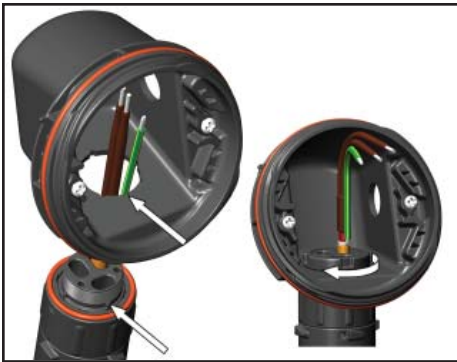


8. Push excess cable back through expediter. Tighten cap securely. Tape cable expansion loop to pipe.



9. For power connection applications: Use dimple molded into side of junction box base to locate center of hole, drill for user supplied power connection fittings per manufacturer's recommendations.

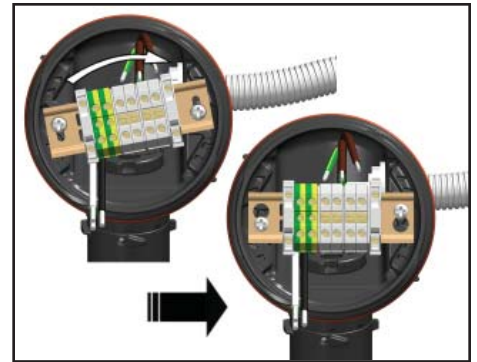




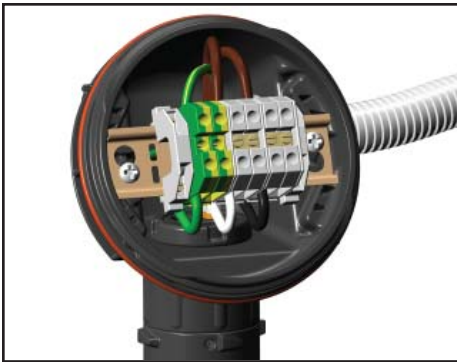
**10.** Mount junction box base on expediter. Make sure to align slots to properly orient junction box base. Tighten nut securely.



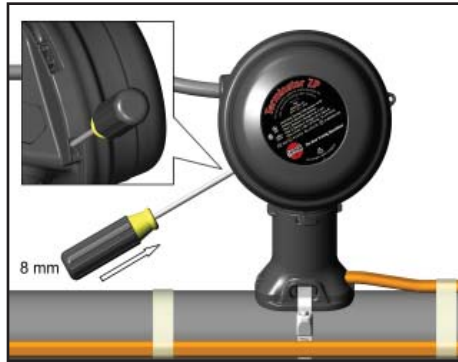
**11.** For power connection applications: Install power connection fittings (user supplied) and pull in power and ground wires.



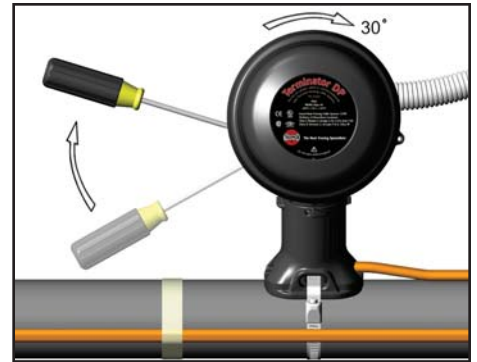
**12.** Install quick mount terminal blocks.



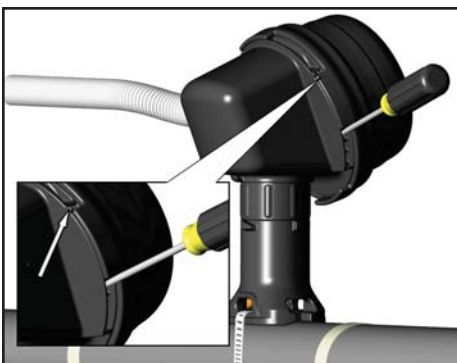
**13.** Complete system wiring. Refer to typical wiring details on page 5.



**14.** Install junction box lid and twist hand tight. Insert screwdriver into ratchet slots located on side of junction box base.



**15.** Use screwdriver to ratchet on junction box lid. Lid will rotate 30 degrees.

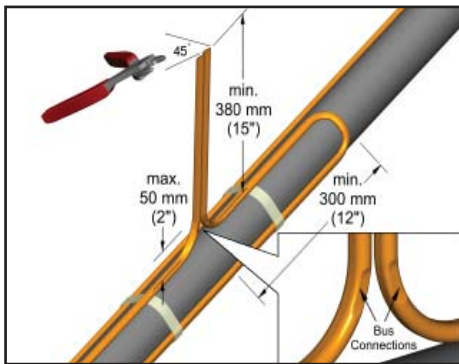


**16.** Lid latch mechanism fully engaged. To remove lid, repeat steps 14 and 15 but in the opposite direction.

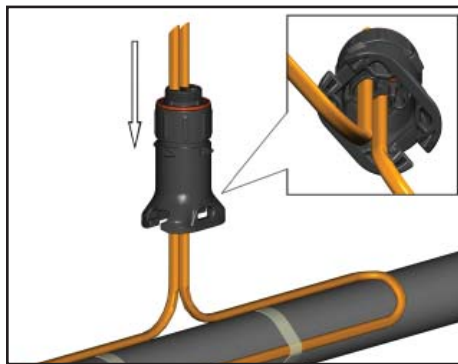
# Terminator™ ZP

## INSTALLATION PROCEDURES

### Two Cable Layout Tips



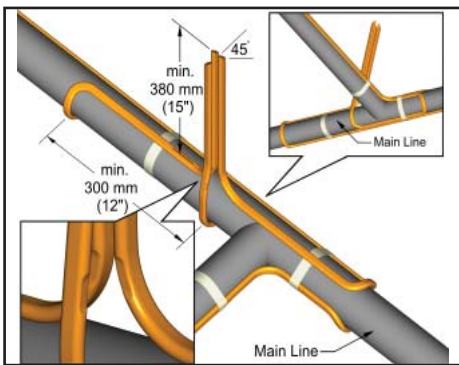
Locate bus connection (HPT and FP only) and cable as shown. Cut end of cable at angle to aid in piercing grommet. Leave additional cable for expansion loop.



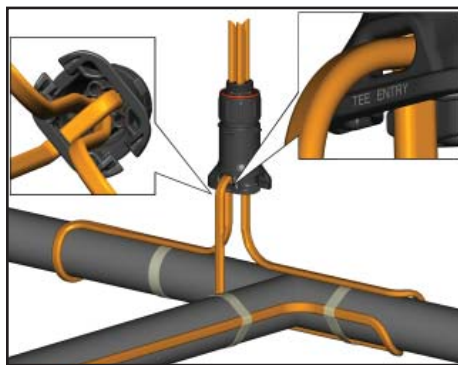
Insert two cables into expediter.

Note: For HPT and FP cable, exchange grommet in Terminator with GRW-G provided in PETK-3.

### Three Cable Layout Tips

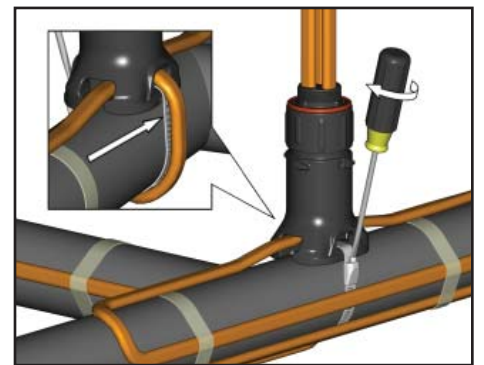


Locate bus connection (HPT and FP only) and cable as shown. Cut end of cable at angle to aid in piercing grommet. Leave additional cable for expansion loop.



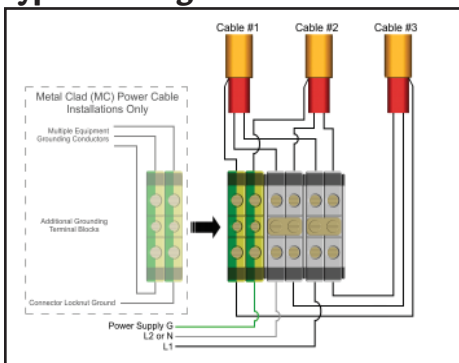
Insert three cables into expediter.

Note: For HPT and FP cable, exchange grommet in Terminator with GRW-G provided in PETK-3.

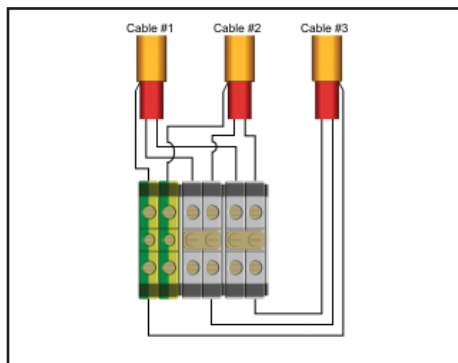


Mount expediter with three cables. Do not band over cable.

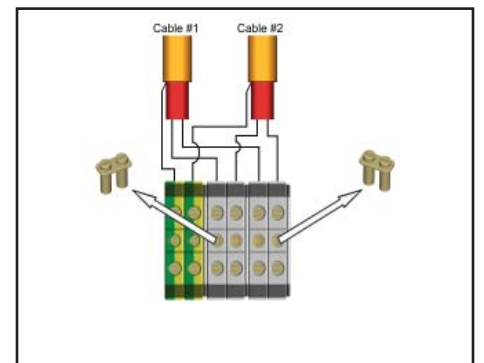
### Typical Wiring Details



Power Connection (1 to 3 Cables). For 3 cable power connections, additional terminal blocks will be required when using 10mm<sup>2</sup> (#8 AWG) power supply wiring.



In-Line Splice and T-Splice



End Termination (1 to 2 Heating Cables) Remove jumpers for 2 cable terminations.





ISO 9001  
REGISTERED

**THERMON . . . The Heat Tracing Specialists®**

100 Thermon Dr. • PO Box 609 • San Marcos, TX 78667-0609  
Phone: 512-396-5801 • Facsimile: 512-396-3627 • **1-800-820-HEAT**  
www.thermon.com In Canada call **1-800-563-8461**

Specifications and information are subject to change without notice. Form No. 50845-0212

For the Thermon office nearest you  
visit us at . . .

[www.thermon.com](http://www.thermon.com)