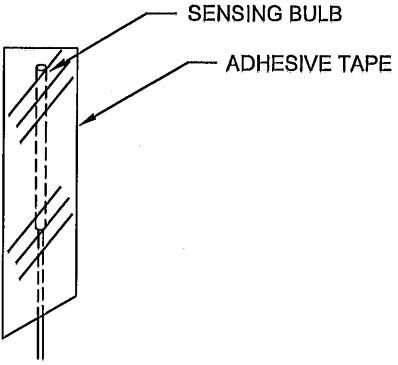


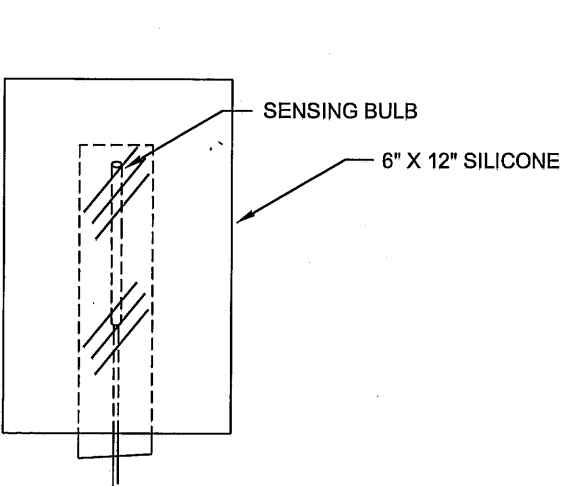
KIT CONTENTS: (INSTALLS 2 SENSORS)

- 2 EA W35025 SILICONE RUBBER AT 6" X 12"
- 5 FT 400080 ADHESIVE TAPE W/ RELEASE LINER.
- 2 EA 54004 1/2 OZ. SILICONE RTV ADHESIVE
- 1 EA 50262 INSTRUCTION SHEET

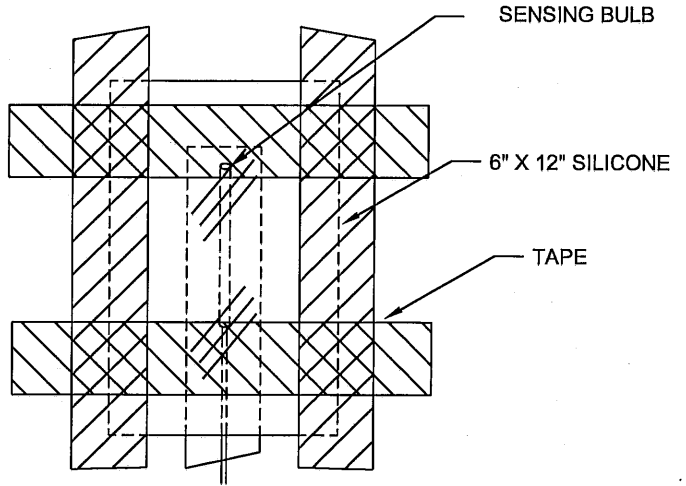
YOUR SYSTEM MAY INCLUDE ONE OR MULTIPLE TEMP CONTROL DEVICES.	
SENSOR FUNCTION	SENSOR LOCATION
CONTROL SENSOR	ON TANK WALL AT HEATER LEVEL AWAY FROM HEATERS AND HEAT SINKS
MAX BULK FLUID TEMP	OM TANK WALL AWAY FROM HEATERS AND HEAT SINKS
MAX HEATER TEMP	DIRECTLY ON HEATER OR ADJACENT TO HEATER



STEP 1
WITH TEMP CONTROLLER MOUNTED IDENTIFY SENSOR LOCATION PER CHART
TAPE IN POSITION USING 1 FT LENGTH ADHESIVE TAPE.



STEP 2
USING ONE EACH SILICONE AT 6" X 12" SIZE
USE 1/2 OZ SILICONE TO ADHESIVELY BOND
THE SILICONE PATCH OVER SENSOR.



STEP 3
APPLY TAPE TO SECURE SILICONE PATCH.
RTV CURES IN 24 HOURS.

NOTES:

1. THE ABOVE DETAILS ARE GUIDELINES. ACTUAL INSTALLATION MAY REQUIRE MODIFICATIONS TO MATERIALS OR INSTALLATION DETAILS.
2. SENSOR TO LIE FLAT ON TANK WALL- AS SHOWN TYPICAL FOR VERTICAL TANK.

0	3/30/04	INITIAL ISSUE	RJT	RJT	HDH	AM
REV.	DATE	DESCRIPTION	DRAWN	DESIGNED	REVIEWED	APPROVED

THIS DRAWING IS THE PROPERTY OF THERMON MANUFACTURING COMPANY, IS CONFIDENTIAL AND MUST NOT BE MADE PUBLIC OR COPIED AND IS SUBJECT TO RETURN ON DEMAND, ALL RIGHTS OF DESIGN OR INVENTION ARE RESERVED.

ISO 9001 CERTIFIED COMPANY



THERMON MANUFACTURING COMPANY
THE HEAT TRACING SPECIALISTS

PART# W8014
KIT BULB MOUNTING (ADHESIVE)

THERMON PROJECT NO.	SCALE: NONE
THERMON DWG. NO. 54A130S1	SHT. 1/1 REV. 0