

FAK-4LHT Kit
for In-Line Splice of
ThermoTube or Fluid/Steam Heated
TubeTrace Bundles
INSTALLATION PROCEDURES



The Heat Tracing Specialists®

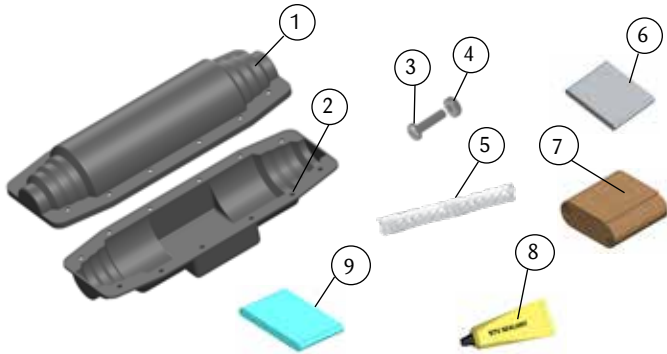
FAK-4LHT

The following installation procedures are suggested guidelines for the installation of the FAK-4LHT In-Line Splice Kit. They are not intended to preclude the use of other methods and good engineering or field construction practices.

Receiving, Storing and Handling . . .

1. Inspect materials for damage incurred during shipping.
2. Report damages to the carrier for settlement.
3. Identify parts against the packing list to ensure the proper type and quantity has been received.
4. Store in a dry location.

FAK-4LHT Kit Contents . . .



Item	Quantity	Description
1	1	Inline Splice Cover (Top)
2	1	Inline Splice Cover (Base)
3	8	Pan Head S.S. Screws, #10-32 x .75
4	8	KEPT S.S. Nuts, #10-32
5	1	Fiberglass Rope, 1/2" Dia. X 12' Length
6	1	Heavy Foil Tape, 1.75" Wide
7	1	Glass Fiber Tape, 2" Wide
8	1	RTV Sealant Tube
9	1	Heat Reflective Tape

INSTALLATION PROCEDURES

The FAK-4LHT In-Line Splice Kit is designed to make a water-proof seal over the end of Fluid/Steam Heated TubeTrace or ThermoTube at the splice connections. Review instructions prior to installation. Kit will make one splice connection (Tube fittings not included).

Installation Precautions . . .

- Installation must comply with Thermon requirements and be installed in accordance with any other applicable local codes.
- Warranty and performance ratings are based on the use of Thermon specified parts only.
- Individuals installing these products are responsible for complying with all applicable safety and health guidelines. Proper personal protective equipment, or PPE, should be utilized during installation. Contact Thermon if you have any additional questions.

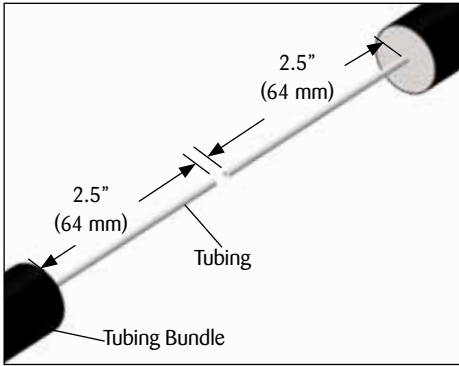
Tools Required . . .



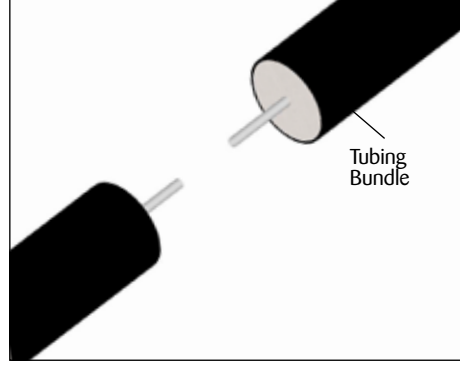
The Heat Tracing Specialists®

FAK-4LHT

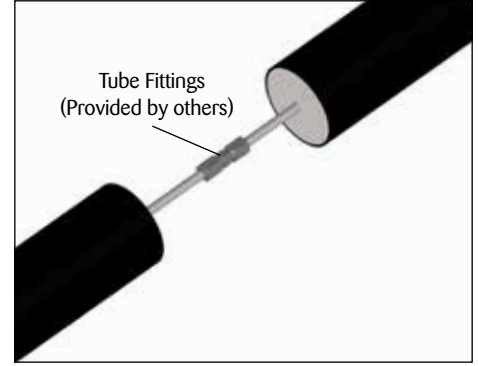
INSTALLATION PROCEDURES



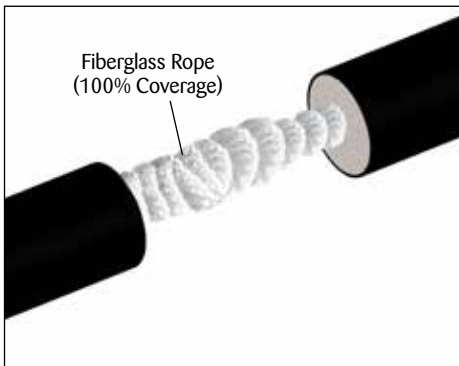
1. Remove outer jacket and insulation from tubing bundle approximately 2.5" (64 mm) from each end of the tubing bundle.



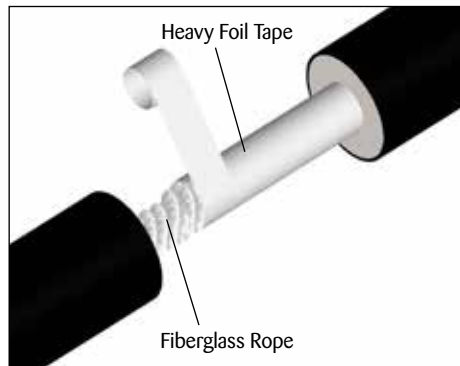
2. Ensure a clean, square cut. Deburr tube ends.



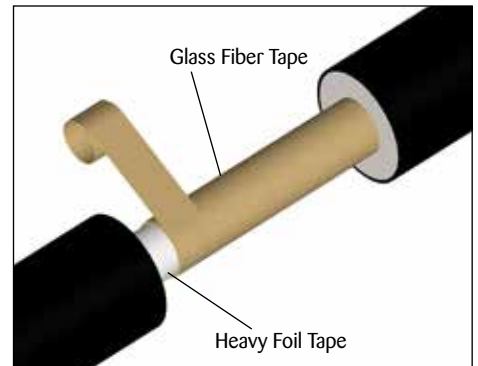
3. Make tube connections with appropriate fittings, provided by others. Test fittings for leaks before proceeding.



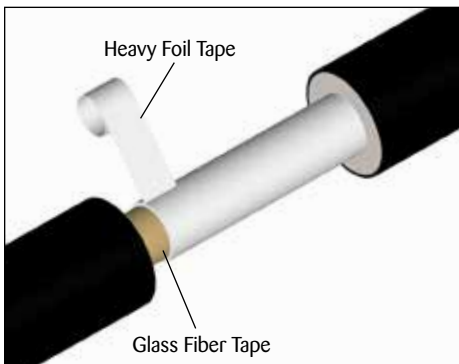
4. Wrap high temperature tubing with 1/2" fiberglass rope. Ensure 100% coverage.



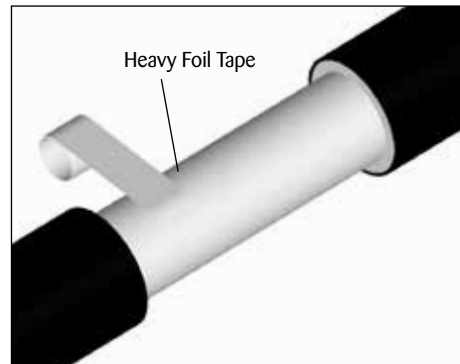
5. Wrap rope with one pass of heavy foil tape (25% overlap).



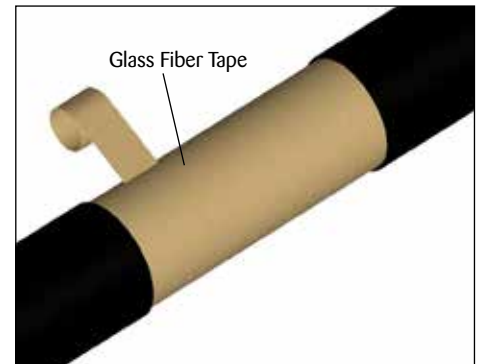
6. Wrap with 3 passes of glass fiber tape (50% overlap).



7. Add 1 additional pass of heavy foil tape (25% overlap).



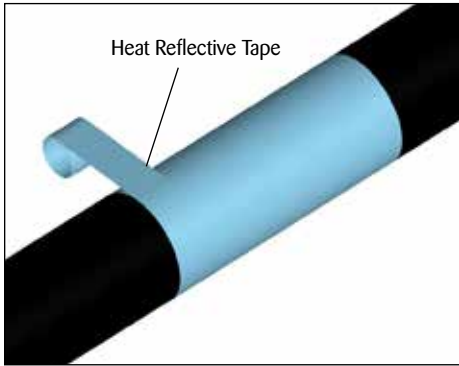
8. Complete with 1 additional pass of heavy foil tape (25% overlap) to cover heat trace.



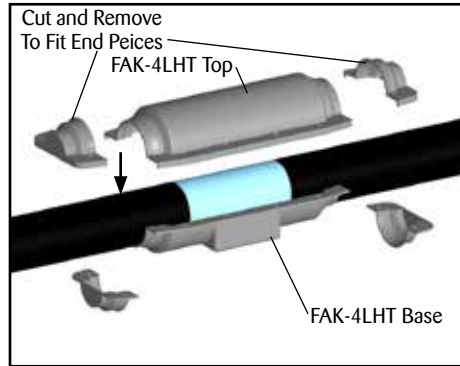
9. Wrap with 4 passes of glass fiber tape (50% overlap), or until fiber tape is equal to original bundle insulation thickness.

FAK-4LHT

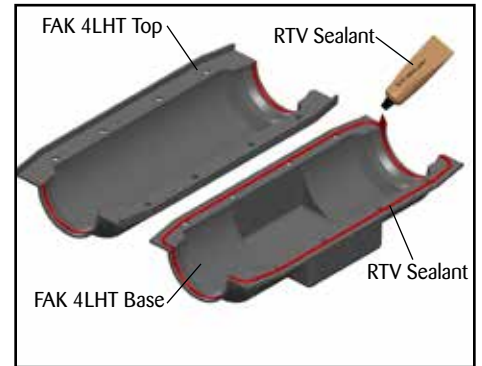
INSTALLATION PROCEDURES



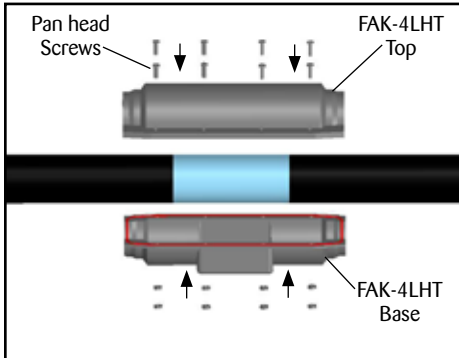
10. Wrap with 1 additional pass of heat reflective tape (50% overlap).



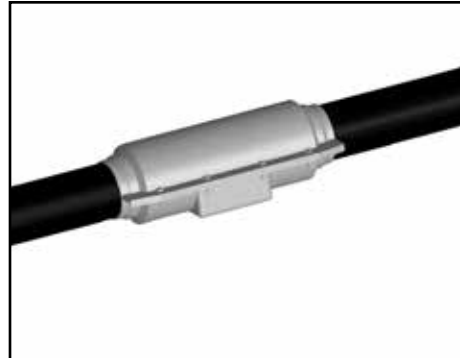
11. Cut splice cover ends to match outside diameter of tubing bundle.



12. Form a gasket by applying RTV sealant to FAK-4LHT base and along radius of FAK-4LHT top as shown.



13. Assemble FAK-4LHT top, tubing bundle, and FAK-4LHT base together as shown using M5 X 3/4" pan head screws and M5 KEPT nuts.



14. Inspect ends of splice cover for snug seal. Apply additional RTV sealant where needed.



THERMON . . . The Heat Tracing Specialists®
 100 Thermon Dr. • PO Box 609 • San Marcos, TX 78667-0609
 Phone: 512-396-5801 • Facsimile: 512-396-3627
1-800-820-HEAT • In Canada call **1-800-563-8461**



Specifications and information are subject to change without notice. Form PN50110-0715

For the Thermon office nearest you
 visit us at . . .
www.thermon.com